

OPERATING AND MAINTENANCE INSTRUCTIONS

IMPORTANT
READ CAREFULLY BEFORE USE
KEEP SAFE TO CONSULT AT A LATER DATE



S pedelec

KETTLER Quadriga Duo Speed
K02

Contents

1	About these operating and maintenance instructions	7	3.1.4	Electric drive system	18
1.1	Manufacturer	7	3.1.5	Motor	18
1.2	Type number and model	7	3.1.6	Rechargeable battery	18
1.3	Identifying the operating and maintenance instructions	7	3.1.6.1	Integrated battery	19
1.4	Laws, standards and directives	7	3.1.7	On-board computer	20
1.5	For your information	8	3.1.7.1	USB port	20
1.5.1	Warnings	8	3.1.8	Operating element	20
1.5.2	Markups	8	3.1.9	Riding light	20
2	Safety	9	3.1.10	Charger	20
2.1	Residual risks	9	3.2	Proper use	21
2.1.1	Risk of fire and explosion	9	3.3	Improper use	21
2.1.1.1	Rechargeable battery	9	3.4	Maximum permitted total weight	21
2.1.1.2	Overheated charger	9	3.5	eBike Connect app	21
2.1.1.3	Hot components	9	3.6	Data privacy information	21
2.1.2	Electric shock	9	3.7	Technical data	22
2.1.2.1	Damage	9	3.7.1	S pedelec	22
2.1.2.2	Water penetration	9	3.7.2	Emissions	22
2.1.2.3	Bridging	10	3.7.3	S pedelec lighting	22
2.1.3	Risk of a crash	10	3.7.4	Kiox on-board computer	22
2.1.3.1	Incorrect quick release setting	10	3.7.5	Motor	22
2.1.3.2	Incorrect tightening torque	10	3.7.5.1	Performance Line Speed	22
2.1.4	Risk of amputation	10	3.7.6	Rechargeable battery	23
2.1.5	Key breaking off	10	3.7.6.1	PowerTube 500	23
2.2	Toxic substances	10	3.7.6.2	PowerTube 625	23
2.2.1	Brake fluid	10	3.7.7	Gear shift	23
2.2.2	Suspension oil	10	3.7.7.1	enviolo TR hub	23
2.2.3	Defective battery	10	3.7.7.2	enviolo CT grip	23
2.3	Requirements for the rider	10	3.7.7.3	Tyres, CST, Supero Intercorsa	23
2.4	Vulnerable groups	10	3.7.8	Tightening torque	23
2.5	Personal protective equipment	11	3.8	Description of controls and screens	24
2.6	Safety markings and safety instructions	11	3.8.1	Handlebars	24
2.7	What to do in an emergency	11	3.8.2	On-board computer	24
2.7.1	Dangerous situation in road traffic	11	3.8.2.1	Start screen	24
2.7.2	Leaked brake fluid	11	3.8.2.2	Status bar	26
2.7.3	Battery vapours emitted	12	3.8.2.3	Status screen	26
2.7.4	Battery fire	12	3.8.2.4	Quick menu	27
2.7.5	Leaked brake fluid	12	3.8.2.5	Settings	27
2.7.6	Oil and lubricant leaks from the fork	12	3.8.2.6	Additional journey information for eShift Shimano DI2 and Rohloff	28
2.7.7	Oil and lubricant leaks from the rear frame damper	12	3.8.2.7	Additional eShift system setting	28
3	Overview	13	3.8.2.8	System message	28
3.1	Description	14	3.8.2.9	ABS indicator lamp	29
3.1.1	Wheel	14	3.8.3	Operating element	29
3.1.1.1	Valve	14	3.8.4	Gear shift	30
3.1.2	Suspension	14	3.8.5	Battery level indicator	30
3.1.2.1	Rigid fork	14	3.9	Environmental requirements	31
3.1.2.2	Suspension fork	14	4	Transporting and storing	33
3.1.3	Brake system	17	4.1	Physical transport characteristics	33
			4.1.1	Designated handles/lifting points	33
			4.2	Transportation	34

4.2.1	Using the brake transport securing system	34	6.5.1.4	Adjusting the seat position	54
4.2.2	Transporting the S pedelec	34	6.5.2	Adjusting the handlebars	55
4.2.3	Shipping the S pedelec	34	6.5.3	Adjusting the stem	55
4.2.4	Transporting the battery	34	6.5.3.1	Adjusting the height of the handlebars	55
4.2.5	Shipping the battery	34	6.5.3.2	Adjusting the quick release clamping force	55
4.3	Storing	35	6.5.4	Adjusting the brake	55
4.3.1	Storage mode	35	6.5.4.1	Retracting the brake linings	56
4.3.1.1	Activating	35	6.5.4.2	Setting the grip distance on a Magura disc brake lever	56
4.3.1.2	Deactivating	35	6.5.4.3	Setting the pressure point on a Magura brake lever	56
4.3.2	Break in operation	35	6.5.5	Adjusting the damping sag	57
4.3.2.1	Preparing a break in operation	36	6.5.5.1	Adjusting the Suntour fork steel suspension	58
4.3.2.2	Carrying out a break in operation	36	6.5.5.2	Adjusting the Suntour fork air suspension	58
5	Assembly	37	6.5.6	Adjusting the rebound damping	59
5.1	Required tools	37	6.5.6.1	Adjusting the Suntour air suspension fork	59
5.2	Unpacking	37	6.5.7	Setting up the smart app	60
5.2.1	Scope of delivery	37	6.5.7.1	Creating a user ID	60
5.3	Commissioning	38	6.5.7.2	Connecting the on-board with the smartphone	60
5.4	Preparing the battery	38	6.6	Accessories	61
5.4.1	Checking the battery	38	6.7	Check list before each ride	62
5.4.2	Retrofitting the PowerTube adapter	38	6.8	Raising the kickstand	63
5.4.3	Fit battery cover onto Bosch PowerTube 625 battery (horizontal)	39	6.9	Using the pannier rack	63
5.4.4	Fit battery cover onto Bosch PowerTube 500 battery (horizontal)	40	6.10	Using the saddle	63
5.5	Preparing the on-board computer	41	6.11	Rechargeable battery	64
5.5.1	Installing the wheel in the Suntour fork	41	6.11.1	Integrated battery	64
5.5.1.1	Screw-on axle (15 mm)	41	6.11.1.1	Removing the integrated battery	64
5.5.1.2	Screw-on axle (20 mm)	42	6.11.1.2	Inserting the integrated battery	64
5.5.1.3	Quick release axle	42	6.11.2	Charging the battery	65
5.5.1.4	Quick release	44	6.11.3	Charging the dual battery	65
5.5.2	Installing the wheel in the FOX fork	45	6.11.3.1	Charging process when two batteries are used	65
5.5.2.1	Quick release (15 mm)	45	6.11.3.2	Charging process when one battery is used	65
5.5.2.2	Kabolt axle	46	6.11.4	Using double battery model with a single battery only	66
5.5.3	Checking the stem and handlebars	46	6.11.5	Waking the battery	66
5.5.3.1	Checking the connections	46	6.12	Electric drive system	67
5.5.3.2	Firm hold	46	6.12.1	Switching on the electric drive system	67
5.5.3.3	Checking the headset backlash	46	6.12.2	Switching off the electric drive system	67
5.6	Selling the S pedelec	46	6.13	On-board computer	68
6	Operation	47	6.13.1	Inserting the on-board computer	68
6.1	Risks and hazards	47	6.13.2	Securing the on-board computer	69
6.1.1	Personal protective equipment	48	6.13.3	Removing the on-board computer	69
6.2	Tips for a greater range	48	6.13.3.1	Charging on the S pedelec	70
6.3	Error message	50	6.13.3.2	Charging using the USB port	70
6.3.1	On-board computer	50	6.13.3.3	Switching on the on-board computer	70
6.3.2	Rechargeable battery	52	6.13.4	Switching off the on-board computer	70
6.4	Instruction and customer service	53			
6.5	Adjusting the S pedelec	53			
6.5.1	Adjusting the saddle	53			
6.5.1.1	Adjusting the saddle tilt	53			
6.5.1.2	Determining the seat height	53			
6.5.1.3	Adjusting the seat height with quick release	54			

6.13.5	Lock (premium function)	70	7.2.9	Cleaning the brake	85
6.13.6	Using the USB port	71	7.2.10	Cleaning the saddle	85
6.13.6.1	Using the riding light	71	7.3	Servicing	86
6.13.7	Using the push assist system	71	7.3.1	Servicing the frame	86
6.13.8	Selecting the level of assistance	72	7.3.2	Servicing the stem	86
6.13.9	Operating the on-board computer	73	7.3.3	Maintaining the suspension fork	86
6.13.10	Opening the start screen	73	7.3.4	Servicing the drive elements	86
6.13.11	Opening the screens	73	7.3.5	Servicing the pedals	86
6.13.12	Opening the quick menu	73	7.3.6	Servicing the chain	86
6.13.13	Opening the status screen	73	7.4	Maintenance	86
6.13.14	Changing the settings	73	7.4.1	Wheel	86
6.13.14.1	Registration with eBike Connect	74	7.4.1.1	Checking the tyres	86
6.13.14.2	Resetting daily mileage or average values manually	74	7.4.1.2	Checking the rims	86
6.13.14.3	Resetting daily mileage or average values automatically	74	7.4.1.3	Checking and adjusting the tyre pressure	87
6.13.14.4	Resetting the range	74	7.4.1.4	Checking and adjusting the tyre pressure – Schrader valve	87
6.13.14.5	Configuring eShift	74	7.4.2	Brake system	88
6.13.14.6	Switching on Bluetooth®	74	7.4.3	Checking the brake linings for wear	88
6.13.14.7	Switching off Bluetooth®	75	7.4.4	Checking the pressure point	88
6.13.14.8	Adding new device to Bluetooth®	75	7.4.5	Checking the brake discs for wear	88
6.13.14.9	Removing device from Bluetooth®	75	7.4.6	Checking the electrical cables and brake cables	88
6.13.14.10	Setting the brightness	75	7.4.7	Checking the gear shift	88
6.13.14.11	Adjusting the time	75	7.4.8	Checking the stem	88
6.13.14.12	Setting the date	75	7.4.9	Checking the USB port	89
6.13.14.13	Adjusting the time	75	7.4.10	Checking the chain tension	89
6.13.14.14	Setting the clock format	75	7.4.11	Adjusting gear shift	89
6.13.14.15	Selecting the backlight	75	8	Maintenance	90
6.13.14.16	Selecting the unit of speed	75	8.1	Suspension system	91
6.13.14.17	Select the language	75	8.1.1	Rear frame damper	91
6.13.14.18	Resetting to factory settings	76	8.1.2	Suspension fork	92
6.14	Brake	77	8.1.3	Suspension seat post	93
6.14.1	Using the brake lever	77	8.2	Axle with quick release	93
6.15	Suspension and damping	78	8.2.1	Checking the quick release	94
6.15.1	Suspension fork compression adjuster	78	8.3	Maintaining the stem	94
6.15.1.1	Adjusting the Suntour compression adjuster	79	9	Troubleshooting, fault clearance and repair	95
6.16	Gear shift	80	9.1	Troubleshooting and fault clearance	95
6.17	Parking the S pedelec	81	9.1.1	Drive system or on-board computer does not start up	95
7	Cleaning and servicing	82	9.1.2	Error message	95
7.1	Cleaning after each ride	83	9.1.3	Errors in the assistance system	96
7.1.1	Cleaning the suspension fork	83	9.1.4	Battery error	97
7.1.2	Cleaning the pedals	83	9.1.5	On-board computer error	98
7.2	Basic cleaning	84	9.1.6	Lighting does not work	98
7.2.1	Cleaning the frame	84	9.1.7	Other errors	99
7.2.2	Cleaning the stem	84	9.1.8	Suspension fork	100
7.2.3	Cleaning the wheel	84	9.1.8.1	Rebound too fast	100
7.2.4	Cleaning the drive elements	84	9.1.8.2	Rebounding too slowly	101
7.2.5	Cleaning the chain	84	9.1.8.3	Suspension too soft on inclines	102
7.2.6	Cleaning the battery	85	9.1.8.4	Excessively hard damping on bumps	103
7.2.7	Cleaning the on-board computer	85			
7.2.8	Cleaning the motor	85			

9.2	Repair	104
9.2.1	Original parts and lubricants	104
9.2.2	Replacing the lighting	104
9.2.3	Adjusting the headlight	104
9.2.4	Tyre clearance check	104
10	Recycling and disposal	105
11	Documents	106
11.1	Parts and repair list	106
11.2	Assembly report	108
11.3	Maintenance instructions	110
11.4	Charger operating instructions	114
12	Glossary	122
12.1	Abbreviations	125
12.2	Simplified terms	125
13	Directive declaration of conformity with RED Directive	126
14	Keyword index	127

Thank you for your trust!

KETTLER *S pedelecs* are premium quality vehicles. You have made an excellent choice. Your specialist dealer will provide you with guidance and instruction and assemble your product. Your specialist dealer will also be happy to assist you in the future, whether you require maintenance, conversion or repair.

Notice

These *operating and maintenance instructions* are not a substitute for personal instruction by the supplying specialist dealer.

These operating and maintenance instructions are an integral part of the S pedelec. Therefore, if it is re-sold at a later time, they must be handed over to the subsequent owner.

You are receiving these operating and maintenance instructions with your new S pedelec. Please take time to become familiar with your new S pedelec. Use the tips and suggestions in the operating and maintenance instructions. They will help you to enjoy your S pedelec for a long time to come. We hope you have fun and wish you well on all of your rides!

The operating and maintenance instructions are mainly designed for the rider or the operator. They aim to ensure that non-professionals can use the S pedelec safely.



Sections are also designed especially for the specialist dealer. These sections aim to ensure that specialist dealers complete initial assembly and maintenance safely and reliably. The sections for specialist dealers are highlighted in grey and marked with a spanner symbol.



Download the operating and maintenance instructions onto your phone at the following link so that you can use them when you are out riding:

<https://www.kettler-alu-rad.de/gb/en/index/service.html>.

Copyright

© KETTLER Alu-Rad GmbH

Distribution or reproduction of these operating instructions and utilisation or communication of their content is prohibited unless expressly approved. Any infringement will render the offender liable for compensation. All rights reserved in the event that a patent, utility model or industrial design is registered.

Editing

Text and images:
ZEG Zweirad-Einkaufs-Genossenschaft eG
Longericher Strasse 2
50739 Köln, Germany

Translation

RKT Übersetzungs- und Dokumentations-GmbH
Markenstrasse 7
40227 Düsseldorf, Germany

If you have any questions or problems regarding these operating and maintenance instructions, please contact:

tecdoc@zeg.de

1 About these operating and maintenance instructions

1.1 Manufacturer

The S pedelec manufacturer is:

KETTLER Alu-Rad GmbH
 Longericher Strasse 2
 50739 Köln, Germany

Tel.: +49 6805 6008-0
 Fax: +49 6805 6008-3098
 E-mail: info@kettler-alu-rad.de
 Website: www.kettler-alu-rad.de
 Subject to internal changes

Significant changes to these operating instructions are included in a new published version of the *operating and maintenance instructions*. You will find any modifications to these *operating and maintenance instructions* at: <https://www.kettler-alu-rad.de/gb/en/index/service.html>

1.2 Type number and model

These operating instructions are an integral part of S pedelecs with the type numbers:

Type no.	Model	Type
K02	KETTLER Quadriga Duo Speed 45	City and trekking bicycle

1.3 Identifying the operating and maintenance instructions

The identification number position is located on bottom left-hand side on each page. The identification number is composed of the document number, the version number and the release date.

Identification number	MY20K10 - 12_1.0_11.01.2021
------------------------------	-----------------------------

1.4 Laws, standards and directives

The *operating and maintenance instructions* comply with the essential requirements specified in:

- EC Directive No. 168/2013
- Electromagnetic Compatibility Directive 2014/30/EU
- EN 82079- 1:2018 Preparation of instructions for use – Structuring, content and presentation – Part 1: General principles and detailed requirements and
- ISO 17100:2016-05 Translation Services – Requirements for translation services.

1.5 For your information

Different markings are used in the operating and maintenance instructions to make them easier to read.

1.5.1 Warnings

Warnings indicate hazardous situations and actions. You will find warnings in the *operating and maintenance instructions*:



Will lead to serious or even fatal injuries if ignored. High-risk hazard.



May lead to serious or even fatal injuries if ignored. Medium-risk hazard.



May lead to minor or moderate injuries if ignored. Low-risk hazard.



May lead to material damage if ignored.



1.5.2 Markups

Instructions for specialist dealers are highlighted in grey. They are indicated by a screwdriver symbol. Information for specialist dealers does not require non-professionals to take any action.

You will find stylised forms of typeface in the *operating and maintenance instructions*:

Stylised form	Use
<i>Italics</i>	Glossary term
<u>Underlined in blue</u>	Link
<u>Underlined in grey</u>	Cross references
✓ Check marks	Requirements
▶ Triangle	Instruction for action
1 Instruction for action	Several instructions for action in specified order
⇒	Result of the action
SPACED	Indicators on the display screen
•	Bulleted lists
<u>Only applies to S pedelecs with this equipment</u>	Each type has a different kind of equipment. A note beneath the heading indicates components which can be used as an alternative.

Table 1: Markups

2 Safety

2.1 Residual risks

2.1.1 Risk of fire and explosion

2.1.1.1 Rechargeable battery

The safety electronics may fail if the batteries are damaged or faulty. The residual voltage can cause a short circuit. The battery may self-ignite and explode.

- ▶ Only use and charge the battery and accessories if they are in perfect condition.
- ▶ Never open or repair the battery.
- ▶ Batteries with external damage must be removed from service immediately.
- ▶ If a battery is dropped or struck, remove it from service and keep it under observation for at least 24 hours.
- ▶ Faulty batteries are hazardous goods. Dispose of faulty batteries in the correct manner. Store battery in a dry place until disposal. Never store in the vicinity of flammable substances.

The battery is only protected from spray water. Penetration by water can cause a short circuit. The battery may self-ignite and explode.

- ▶ Never immerse the battery in water.
- ▶ Put battery out of service if you suspect water has penetrated it.

Temperatures over 60 °C can also cause liquid to leak from the battery and the battery will become damaged. The battery may self-ignite and explode.

- ▶ Protect the battery against heat.
- ▶ Never store next to hot objects.
- ▶ Never expose the battery to sustained direct sunlight.
- ▶ Avoid wide temperature fluctuations.

Chargers with excessive voltage damage batteries. This may result in fire or an explosion.

- ▶ Only use batteries approved for the S pedelec. Clearly label the supplied charger.

2.1.1.2 Overheated charger

The charger heats up when charging the battery. In case of insufficient cooling, this can result in fire or burns to the hands.

- ▶ Never use charger on a highly flammable surface.
- ▶ Never cover the charger during charging.
- ▶ Never leave the battery unattended during charging.

2.1.1.3 Hot components

The brakes and the motor may become very hot during operation. There is a risk of burns or fire in case of contact.

- ▶ Never touch the brakes or the motor directly after a ride.
- ▶ Never place the S pedelec on a flammable surface, such as grass or wood, directly after use.

2.1.2 Electric shock

2.1.2.1 Damage

Damaged chargers, cables and plug connectors increase the risk of electric shock.

- ▶ Check the charger, cable and plug connector before each use. Never use a damaged charger.

2.1.2.2 Water penetration

If water penetrates into the charger, there is a risk of electric shock.

- ▶ Never charge the battery outdoors.

2.1.2.3 Bridging

Metal objects may interconnect the battery's electrical terminals. The battery may self-ignite and explode.

- ▶ Never insert paper clips, screws, coins, keys and other small parts into the battery.

2.1.3 Risk of a crash

2.1.3.1 Incorrect quick release setting

Excessively high clamping force will damage the quick release and cause it to lose its function. Insufficient clamping force will result in unfavourable transmission of force. This can cause components to break. This will cause a crash with injuries.

- ▶ Never fasten a quick release using a tool (e.g. hammer or pliers).
- ▶ Only use the clamping lever with the specified set clamping force.

2.1.3.2 Incorrect tightening torque

If a screw is fastened too tightly, it may break. If a screw is not fastened enough, it may loosen. This will cause a crash with injuries.

- ▶ Always observe the indicated tightening torque on the screw or in the *operating and maintenance instructions*.

2.1.4 Risk of amputation

The brake disc in disc brakes is so sharp that it can cause serious injuries to fingers if they are inserted into the brake disc openings.

- ▶ Always keep fingers well away from the rotating brake discs.

2.1.5 Key breaking off

If you leave a key inserted when riding or transporting the pedelec, it may break off or the locking system may open accidentally.

- ▶ Remove the key to the battery lock.

2.2 Toxic substances

2.2.1 Brake fluid

Brake fluid may leak out after an accident or due to material fatigue. Brake fluid can be fatal if swallowed or inhaled.

- ▶ Never dismantle the brake system.
- ▶ Avoid contact with skin.
- ▶ Do not inhale vapours.

2.2.2 Suspension oil

Suspension oil in the fork and the rear frame damper is toxic to the touch, irritates respiratory tracts and causes cancer, sterility and mutation in germ cells.

- ▶ Never dismantle the rear frame damper or the suspension fork.
- ▶ Avoid contact with skin.

2.2.3 Defective battery

Liquids and vapours may leak from damaged or faulty batteries. Excessively high temperatures may also cause liquids and vapours to leak from the battery. Such liquids and vapours can irritate the airways and cause burns.

- ▶ Never dismantle the battery.
- ▶ Avoid contact with skin.
- ▶ Do not inhale vapours.

2.3 Requirements for the rider

The rider must demonstrate adequate physical, motor and mental abilities to ride on public roads. A minimum age of 14 years is recommended.

2.4 Vulnerable groups

Keep batteries and charger away from children and people with reduced physical, sensory or mental capabilities or lacking in experience and knowledge.

If minors use the S pedelec, a legal guardian must should provide them with comprehensive instructions.

2.5 Personal protective equipment

Wear a suitable cycling helmet, sturdy footwear and typical close-fitting clothing to provide protection.

2.6 Safety markings and safety instructions

The nameplate contains these safety markings and safety instructions:



Symbol	Explanation
	General warning
	Adhere to the instructions for use

Table 2: Meaning of safety markings



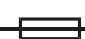

Symbol	Explanation
	Read the instructions
	Separate collection of electrical and electronic devices
	Separate collection of ordinary and rechargeable batteries
	Must not be thrown into fire (burning prohibited)
	It is forbidden to open any batteries
	Device of protection class II
	Only suitable for use indoors
	Fuse (device fuse)
	EU conformity
	Recyclable material
	Protect from temperatures above 50 °C and direct sunlight

Table 3: Safety instructions

2.7 What to do in an emergency

2.7.1 Dangerous situation in road traffic

- ▶ In the event of any hazards or dangers in road traffic, apply the brakes on the S pedelec until it comes to a halt. The brake acts as an emergency stop system in such cases.

2.7.2 Leaked brake fluid

- ▶ Remove those affected from the danger area to fresh air.
- ▶ Never leave those affected unattended.
- ▶ Immediately remove any clothing items contaminated with brake fluid.
- ▶ Never inhale vapours. Ensure sufficient ventilation.
- ▶ Wear gloves and safety gloves as protective equipment.
- ▶ Keep unprotected persons away.
- ▶ Take care with leaked brake fluid as it poses a slip hazard.
- ▶ Keep leaked brake fluid away from naked flames, hot surfaces and sources of ignition.
- ▶ Avoid contact with skin and eyes.

After inhalation

- ▶ Take in fresh air. Immediately consult a doctor in case of any discomfort.

After skin contact

- ▶ Wash affected skin with soap and water and rinse well. Remove contaminated clothing. Consult doctor in the event of pain or discomfort.

After contact with eyes

- ▶ Rinse eyes under flowing water for at least ten minutes with the lids open; also rinse under lids. Immediately consult a doctor in case of any pain or discomfort.

After swallowing

- ▶ Rinse out mouth with water. Never induce vomiting. Risk of aspiration!
- ▶ If a person is lying on their back and vomiting, place them in the recovery position. Seek medical advice immediately.

Environmental protection measures

- ▶ Never allow brake fluid to flow into the sewage system, water courses or groundwater.
- ▶ Notify the relevant authorities if fluid penetrates the ground, water courses or the sewage system.
- ▶ Consult a doctor immediately in the event of any pain or discomfort caused by combustion gas or leaking fluids.

2.7.3 Battery vapours emitted

Vapours may be emitted if the battery is damaged or used improperly. The vapours may cause respiratory tract irritation.

- ▶ Get into fresh air.
- ▶ Consult doctor in the event of pain or discomfort.

After contact with eyes

- ▶ Carefully rinse eyes with plenty of water for at least 15 minutes. Protect unaffected eye. Seek medical advice immediately.

After skin contact

- ▶ Remove any solid particles immediately.
- ▶ Rinse the affected area with plenty of water for at least 15 minutes. Then dab the affected skin gently. Do not rub dry.
- ▶ Remove contaminated clothing immediately.
- ▶ Immediately consult a doctor if there is any redness, pain or discomfort.

2.7.4 Battery fire

The safety electronics may fail if the battery is damaged or faulty. The residual voltage can cause a short circuit. The battery may self-ignite and explode.

- 1 Keep your distance if the battery becomes deformed or starts to emit smoke.
 - 2 If charging, remove the plug connector from the socket.
 - 3 Contact the fire service immediately.
- ▶ Use Class fire extinguishers to put out the fire.
 - ▶ Never extinguish damaged batteries with water or allow them to come into contact with water.

Inhaling vapours can cause intoxication.

- ▶ Stand on the side of the fire where the wind is blowing from.
- ▶ Use breathing apparatus if possible.

2.7.5 Leaked brake fluid

The brake system must be repaired immediately if brake fluid leaks out. Dispose of leaking brake fluid in an environmentally responsible way in accordance with statutory regulations.

- ▶ Contact your specialist dealer.

2.7.6 Oil and lubricant leaks from the fork

Dispose of oils and lubricants which have leaked from the rear frame damper in an environmentally responsible way in compliance with statutory regulations.

- ▶ Contact your specialist dealer.

2.7.7 Oil and lubricant leaks from the rear frame damper

Dispose of oils and lubricants which have leaked from the rear frame damper in an environmentally responsible way in accordance with statutory regulations.

- ▶ Contact your specialist dealer.

3 Overview



Figure 1: S pedelec viewed from the right, Quadriga Pro CX used as example

1	Front wheel	11	Reflector
2	Fork	12	Rear wheel guard
3	Front wheel guard	13	Registration plate holder
4	Headlight	14	Rear wheel
5	Handlebars	15	Chain
6	Stem	16	Chain guard
7	Frame	17	Motor
8	Seat post	18	Pedal
9	Saddle	19	Battery and nameplate
10	Pannier rack		

3.1 Description

3.1.1 Wheel

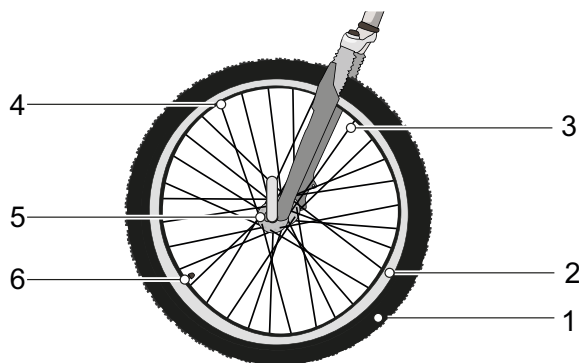


Figure 2: Visible wheel components

- | | |
|---|---------------|
| 1 | Tyres |
| 2 | Rim |
| 3 | Spoke |
| 4 | Spoke nipples |
| 5 | Hub |
| 6 | Valve |

The wheel comprises the *wheel* itself, an inner tube with a valve and a tyre.

3.1.1.1 Valve

Each wheel has a valve. It is used to fill the *tyre* with air. There is a valve cap on each valve. The screw-on valve cap keeps out dust and dirt.

The S pedelec has either a conventional Dunlop valve, a presta valve or a Schrader valve.

3.1.2 Suspension

Both forks and suspension forks are fitted in this model series.

3.1.2.1 Rigid fork

Rigid forks do not feature suspension. They transfer the used muscle and motor power to the road to optimum effect. S pedelecs with rigid forks consume less energy on steep roads and have a greater range than pedelecs with adjusted suspension.

3.1.2.2 Suspension fork

A suspension fork is based either on a steel spring or air suspension.

Unlike a rigid fork, a suspension fork has two functions which improve floor contact and comfort: suspension and damping. The suspension prevents an impact, such as one caused by a stone lying in the S pedelec's path, from being channelled directly into the rider's body via the fork. The impact is absorbed by the suspension system instead. This causes the suspension fork to compress.

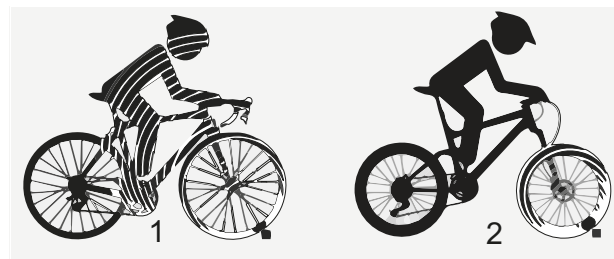


Figure 3: Without suspension (1) and with suspension (2)

After compressing, the suspension fork returns to its original position. If there is a damper, it decelerates movement, preventing the suspension system from springing back in an uncontrolled manner and stopping the fork from vibrating up and down. Dampers which dampen compressive deflection movements, i.e. a compression load, are called compression dampers or compression dashpots.

Dampers which dampen rebound deflection movements, i.e. a rebound load, are called rebound dampers or dashpots.

The compression can be disabled in any suspension fork. A suspension fork will then behave like a rigid fork.

Negative deflection

Sag is the percentage of total deflection that is compressed by the rider's weight, including equipment (such as a backpack), their seating position and frame geometry. Sag is not caused by riding.

The S pedelec rebounds at a controlled speed if it is optimally adjusted. The wheel stays in contact with the ground when passing over bumps (blue line).

The fork head, handlebars and rider broadly follow the terrain (green line) when riding over bumps. The suspension motion is predictable and controlled.



Figure 4: Optimum fork riding performance

When optimally adjusted, the fork counteracts deflection, stays higher in its deflection range and

helps the rider to maintain speed while riding on hilly parts of terrain.



Figure 5: Optimum fork riding performance on hilly terrain

When optimally adjusted, the fork deflects quickly and unhindered when the bike hits bumps and absorbs a bump. Traction is retained (blue line).

The fork responds quickly to the bump. The headset and handlebars rise slightly when absorbing a bump (green line).



Figure 6: Optimum fork riding performance over bumps

The stem and handlebars are fastened to the fork steerer. The wheel is fastened to the axle.

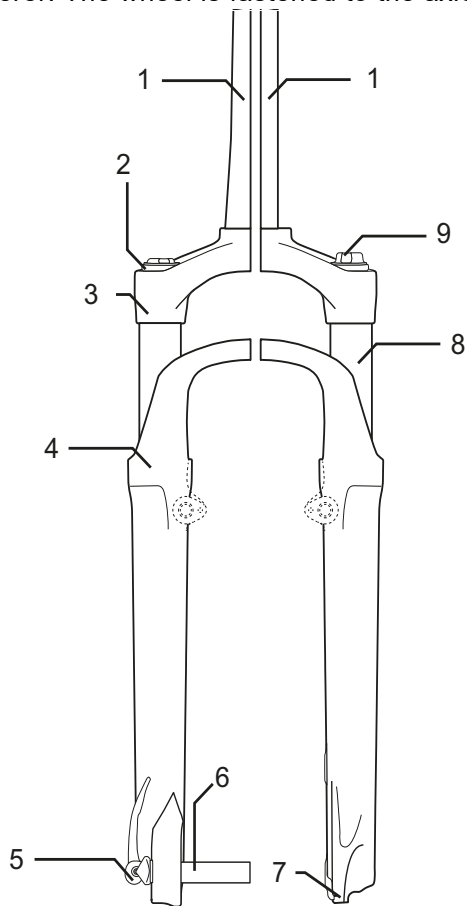


Figure 7: Example showing Suntour fork

- 1 Fork steerer
- 2 Sag setting wheel
- 3 Crown
- 4 Dust seal
- 5 Q-Loc
- 6 Axle
- 7 Fork end
- 8 Stanchion
- 9 Compression setting

Air suspension fork

The air suspension fork features an air suspension assembly (orange), a compression damper assembly (blue) and, in some cases, a rebound damper assembly (red).

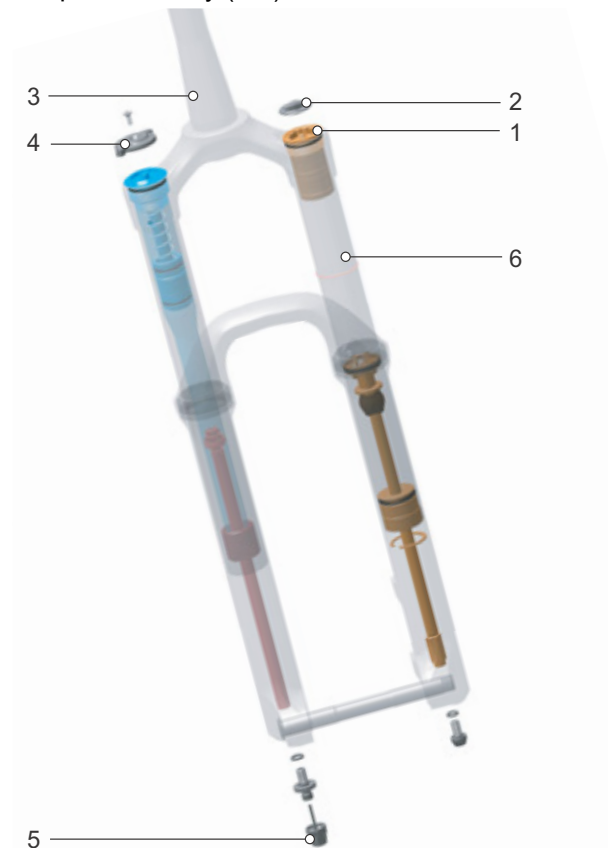


Figure 8: Example

- 1 Air valve
- 2 Air valve cap
- 3 Fork steerer
- 4 Sag setting wheel
- 5 Rebound setting
- 6 Stanchion

3.1.3 Brake system

Every S pedelec has a hydraulic brake system. The brake fluid is in a closed hose system. If the rider pushes the brake lever, the brake fluid activates the brake on the wheel.

The mechanical brakes are used as an emergency stop system and bring the S pedelec to a halt quickly and safely in the event of an emergency.

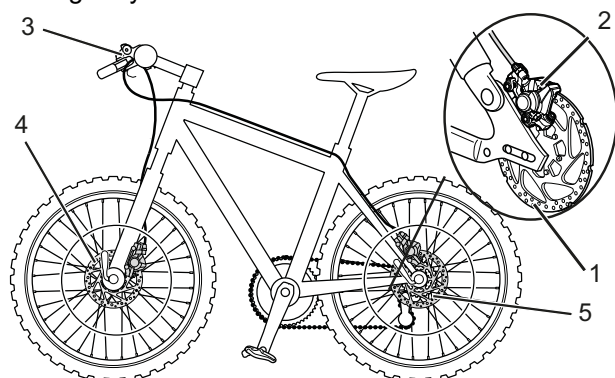


Figure 9: Brake system with disc brake – example

- 1 Brake disc
- 2 Brake calliper with brake linings
- 3 *Handlebars with brake lever*
- 4 Front wheel brake disc
- 5 Rear wheel brake disc

On an S pedelec with a disc brake, the brake disc is screwed permanently to the wheel *hub*.

The *brake lever* is pushed to increase brake pressure. The brake fluid is used to transfer pressure through the brake cables to the cylinders in the brake calliper. The braking force is boosted by a speed reduction and applied to the brake linings. These apply the brake disc mechanically. If the *brake lever* is pushed, the brake linings are pressed against the brake disc and the wheel movement is decelerated until it comes to a stop.

3.1.4 Electric drive system

The S pedelec is driven by muscle power applied to the chain drive. The force which is applied by pedalling in the direction of travel drives the front chain wheel. The chain transmits the force onto the rear chain wheel and then onto the rear wheel.

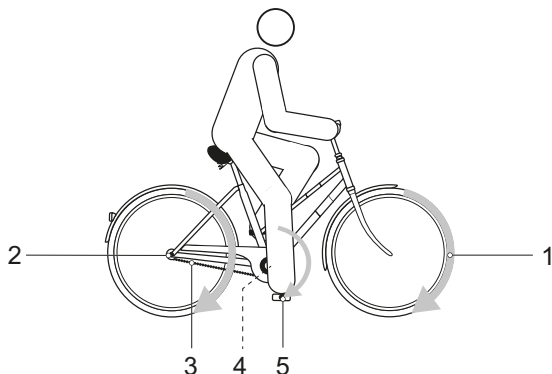


Figure 10: Diagram of mechanical drive system

- 1 Direction of travel
- 2 Chain
- 3 Rear chain wheel
- 4 Front chain wheel
- 5 Pedal

The S pedelec also has an integrated electric drive system in addition to its mechanical drive system.

The electric drive system is made up of 8 components:

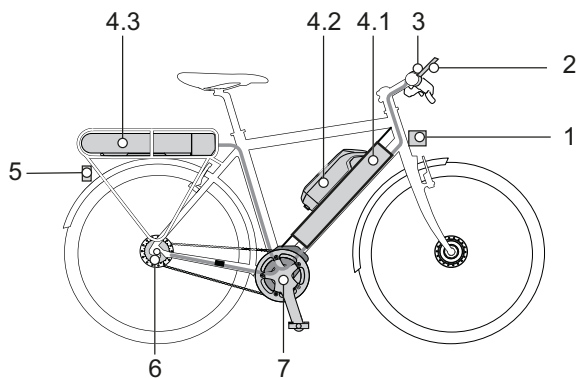


Figure 11: Diagram of electric drive system

- 1 Headlight
- 2 On-board computer,
- 3 Operating element
- 4.1 Integrated battery
- 4.2 Frame battery
- 4.3 Pannier rack battery
- 5 Rear light
- 6 Electric gear shift (alternative)
- 7 Motor
- 8 A charger designed for the battery.

3.1.5 Motor

As soon as the required muscle power from the rider pedalling passes a certain level, the motor is activated gently and assists the rider's pedalling motion. The pre-set level of assistance determines the motor output.

The motor switches off automatically as soon as the rider no longer pedals, the temperature is outside the permitted range, there is an overload or the shut-off speed of 25 km/h has been reached.

A push assist system can be activated. The speed depends on the selected gear. The motor continues to drive the S pedelec as long as the rider presses the **push assist button** on the *handlebars*. The speed can be a maximum of 6 km/h in this case. The electric drive system stops when the **push assist button** is released.

The S pedelec does not have a separate emergency shut-off button. In the event of an emergency, the motor can be stopped by removing the *on-board computer*. The mechanical brakes are used as an emergency stop system and bring the S pedelec to a halt quickly and safely in the event of an emergency.

3.1.6 Rechargeable battery

Bosch batteries are lithium ion batteries which are developed and manufactured to the latest technical standards. These batteries meet and exceed applicable industrial safety standards. The battery has an internal electronic protection circuit, which is specifically designed for the charger and the S pedelec. The battery temperature is monitored at all times. Each individual cell in a Bosch battery is protected by a steel cup and cased in a plastic housing. You must not open this housing. You must also avoid

mechanical loads or exposure to intense heat since they may damage the battery cells and cause flammable contents to leak out.

The battery is protected against deep discharge, overcharging, overheating and short circuit. In the event of a hazard, a protective circuit switches the battery off automatically.

The battery has a high energy content when charged. The substances in lithium-ion battery cells may become inflammable under certain conditions. You will find codes of practice for their safe handling in Section 2 Safety and Section 6.9 Rechargeable battery in the operating instructions.

If the electric drive system is not used for about 10 minutes (e.g. the S pedelec is stationary) and no button has been pressed on the on-board computer or the control panel, the electric drive system and the battery switch off automatically to save energy. The type and duration of operating conditions have a significant effect on the battery life. Just like any other lithium-ion battery, the Bosch battery will age naturally, even if it is not being used.

Its battery life can be extended if the battery is well maintained and, more importantly, stored at the correct temperatures. The charging capacity will decrease with age, even if the battery is maintained properly. If the operating time is severely shortened after charging, this is a sign that battery has reached the end of its useful life.

Battery performance is reduced when the temperature drops since this increases electrical resistance. As a result, you should expect the range to be shorter than normal in winter. We recommend using thermal protection sleeves when riding longer distances in the cold.

The S pedelec features either an integrated battery, a pannier rack battery or a frame battery. Each battery has its own lock.

3.1.6.1 Integrated battery

Two different types of pannier rack batteries can be fitted:

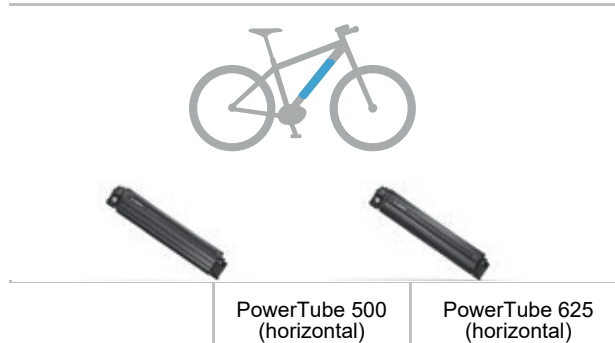


Table 4: Overview of frame battery

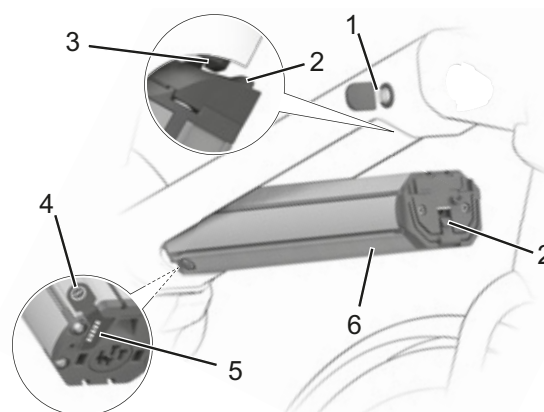


Figure 12: Example of integrated battery in detail

- 1 Key for the battery lock
- 2 Retainer guard
- 3 Securing hook
- 4 On-Off button (battery)
- 5 *Battery level indicator*
- 6 Integrated battery housing

3.1.7 On-board computer



Figure 13: Kiox on-board computer

The on-board computer displays the main drive system functions and the ride data. The drive system can be switched off by removing the on-board computer. The S pedelec's battery powers the on-board computer if the on-board computer is inserted in the mount, a sufficiently charged battery is inserted into the S pedelec and the drive system is switched on. If the on-board computer is removed from its mount, power is supplied from the on-board computer rechargeable battery. If the on-board computer battery is low, a warning message is shown on the screen. If the on-board computer is removed from its mount and not switched off, information on the last trip distance travelled and status information will be displayed after one another in a loop. If no button is pressed after its removal from its mount, the on-board computer will switch off after 1 minute. The date and time will be maintained for a maximum of three months without needing to charge the display battery. When it is switched on again, the date and time will be reset if there is a Bluetooth® connection to the app and successful GPS localisation on the smartphone. Registration and log-in is required on the eBike Connect portal or the eBike Connect app to log activities. You need to agree to location data being saved on the portal and the app to log activities. Only then will your activities be displayed on the portal or app. Your location will only be logged if the on-board computer is connected to the eBike Connect app.

3.1.7.1 USB port

There is a USB port under the rubber cover beneath the *on-board computer*.

Charge voltage	5 V
Charging current	Max. 1000 mA

Table 5: USB port technical data

The USB connection can be used to operate and charge most devices which can be recharged via USB, such as mobile telephones. The on-board computer and a sufficiently charged battery must be in use on the S pedelec to charge devices.

3.1.8 Operating element

The operating element on the handlebars uses 5 buttons to control the on-board computer.



Figure 14: Operating element

3.1.9 Riding light

When the riding light is activated, the *headlight* and the rear light are switched on together automatically.

3.1.10 Charger

Every S pedelec is supplied with a charger. As a general rule, any BOSCH charger may be used:

- The 2 A compact charger
- The 4 A standard charger
- The 6 A fast charger

Observe the operating instructions in the section on Documents.

3.2 Proper use

The S pedelec must only be used in perfect, fully functional condition. National requirements may apply to the S pedelec which the standard equipment configuration may not meet. For riding on public roads, some special regulations apply in relation to the riding light, reflectors and other components.

The general laws and the regulations for the prevention of accidents and environmental protection in the respective country of use must be adhered to. All check lists and instructions for actions in these *operating instructions* met. Approved accessories can be installed by specialist staff.

3.3 Improper use

Failure to adhere to the proper use poses a risk of personal injury and material damage. It is prohibited to use the S pedelec in the following ways:

- when the electrical drive system has been manipulated
- riding a damaged or incomplete S pedelec
- riding over steps
- riding through deep water
- lending the S pedelec to untrained riders
- carrying other people or animals as passengers
- riding with excessive baggage
- riding with no hands
- riding on ice and snow
- improper servicing
- improper repair
- tough areas of use, such as professional competitions
- stunt riding or acrobatics.

3.4 Maximum permitted total weight

The S pedelec may only be loaded to its maximum permitted total weight (PTW) of 145 kg. The maximum permitted total weight is the weight of the fully assembled S pedelec with the rider and baggage.

3.5 eBike Connect app

The Kiox on-board computer is designed to control a Bosch e-bike system and display ride data.

A compatible smartphone with the eBike Connect app (available from the App Store or the Google Play Store) and registration on the eBike Connect Portal (www.ebike-connect.com) are required to use all the features that the Kiox on-board computer offers. Neither is included in the scope of delivery.

3.6 Data privacy information

When the S pedelec is connected to the BOSCH diagnosis tool, data is transferred to Bosch eBike Systems (Robert Bosch GmbH) on the use of rechargeable battery, including its temperature and cell voltage, to help improve the product. You will find more detailed information on the BOSCH website: www.bosch-ebike.com/en/.

3.7 Technical data

3.7.1 S pedelec

Transportation temperature	5 °C - 25 °C
Ideal transportation temperature	10 °C - 15 °C
Storage temperature	10 °C - 30 °C
Ideal storage temperature	10 °C - 15 °C
Operating temperature	5 °C - 35 °C
Work environment temperature	15 °C - 25 °C
Charging temperature	0 °C - 40 °C
Power output/system	250 W (0.25 kW)
Shut-off speed	45 km/h

Table 6: Technical data for the S pedelec

3.7.2 Emissions

A-weighted emission sound pressure level	< 70 dB(A)
Total vibration level for the hands and arms	< 2.5 m/s ²
Highest effective value of weighted acceleration for the entire body	< 0.5 m/s ²

Table 7: Emissions from the S pedelec*

*The safety requirements as per Electromagnetic Compatibility Directive 2014/30/EU have been met. The S pedelec and the charger can be used in residential areas without restriction.

*if there is no other data on the component

3.7.3 S pedelec lighting

Voltage about	12 V
Maximum output	
Front light	17.4 W
Rear light	0.6 W

Table 8: Lighting technical data

3.7.4 Kiox on-board computer

Internal lithium ion battery	3.7 V 230 mAh
Operating temperature	-5 °C - +40 °C
Storage temperature	-10 °C - +40 °C
Charging temperature	0 °C - +40 °C
Protection class (with USB cover closed)	IPx7 c)
Weight about	0.06 kg
USB port	
Max. charging current for USB port	1000 mA A)
USB port charge voltage	5 V
USB charging cable	1 270 016 360 B)
Bluetooth® low energy®	
Frequency	2400-2480 MHz
Transmitting capacity	< 10 mW

Table 9: Technical data for Kiox on-board computer (BUI330)

A) At an ambient temperature < 25 °C
 B) Not included in the scope of delivery
 C) With the USB cover closed

3.7.5 Motor

3.7.5.1 Performance Line Speed

Only applies to S pedelecs with this equipment

Maximum continuous power	250 W
Max. torque	85 Nm
Nominal voltage	36 V DC
Protection class	IP54
Weight	3 kg
Operating temperature	-5 °C - +40 °C
Storage temperature	+10 °C - +40 °C

Table 10: Technical data for Performance Line Speed/BDU490P

3.7.6 Rechargeable battery

3.7.6.1 PowerTube 500

Only applies to S pedelecs with this equipment

Nominal voltage	36 V
Nominal capacity	13.4 Ah
Energy	500 Wh
Weight	2.9 kg
Protection class	IP54
Operating temperature	-5 °C - +40 °C
Storage temperature	+10 °C - +40 °C
Permitted charging temperature range	0 °C - +40 °C

Table 11: Technical data for PowerTube 500, BBP280 horizontal and BBP281 vertical batteries

3.7.6.2 PowerTube 625

Only applies to S pedelecs with this equipment

Nominal voltage	36 V
Nominal capacity	16.7 Ah
Energy	625 Wh
Weight	3.5 kg
Protection class	IP54
Operating temperature	-5 °C - +40 °C
Storage temperature	+10 °C - +40 °C
Permitted charging temperature range	0 °C - +40 °C

Table 12: Technical data for PowerTube 625, BBP282 and BBP283 vertical batteries

3.7.7 Gear shift

3.7.7.1 enviolo TR hub

Weight	2.45 kg
Nominal transmission range	380% (0.5 - 1.90)
Service life	20,000 km
Hub protection class	IP65
Grip protection class	IP54
Operating temperature	-20 °C - +48 °C

Table 13: Technical data for enviolo TR gear shift

3.7.7.2 enviolo CT grip

Grip protection class	IP54
Grip rotation	240°
Operating temperature	-20 °C - +48 °C

Table 14: Technical data for enviolo CT grip

3.7.7.3 Tyres, CST, Supero Intercorsa

Recommended tyre pressure	2.8 - 4.5 bar (40 - 65 psi)
---------------------------	--------------------------------

Table 15: Technical data for CST, Supero Intercorsa

3.7.8 Tightening torque

Axle nut tightening torque	30 Nm - 40 Nm
Handlebars clamping screw maximum tightening torque*	5 Nm - 7 Nm
Brake adapter + Loctite 277 or similar	55 - 65 Nm
enviolo interface nut	10 - 15 Nm
enviolo spline nut	9 - 10 Nm
enviolo cable installation kit	1.5 - 2 Nm
enviolo twist grip	2 - 2.5 Nm
enviolo twist grip cover	0.2 - 0.3 Nm
Speed sensor	1 Nm

Table 16: Tightening torque values

3.8 Description of controls and screens

3.8.1 Handlebars

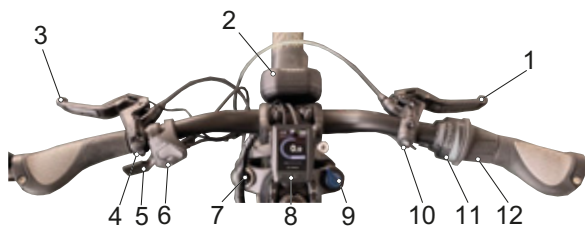


Figure 15: Detailed view of S pedelec from rider position, example

- 1 Front brake lever
- 2 Headlight
- 3 Rear brake lever
- 4 Horn switch
- 5 Lever for hydraulic seat post
- 6 Operating element
- 7 Air valve flap
- 8 On-board computer
- 9 Compression damper switch
- 10 Main beam switch
- 11 Gear shift indicator
- 12 Gear shift twist grip

3.8.2 On-board computer

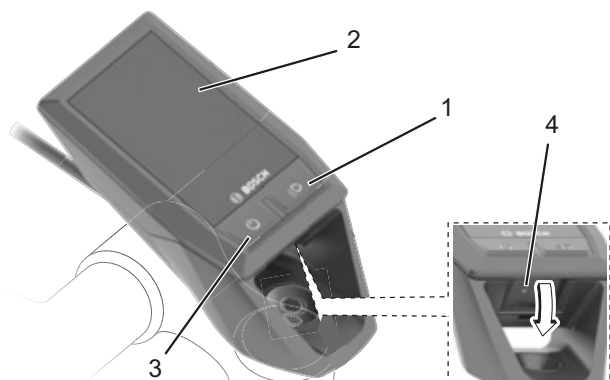


Figure 16: Overview of the on-board computer structure and operating elements





Symbol	Use
1 	Riding light button
2 	Display
3 	On-Off button (on-board computer)
4 	USB port protective flap

Table 17: Operating elements overview

When the on-board computer is inserted in its mount, the following pages are accessed one after the other:

- Start screen
- Clock and range
- Trip distance and trip time
- Power and pedalling frequency
- Average speed and maximum speed
- Trip distance, range, output and heart frequency*
- Heart frequency
- Calorie consumption and total trip distance
- Status screen

*Only if heart rate monitor is available

3.8.2.1 Start screen

The START SCREEN will appear as soon as the on-board computer is inserted into its mount. The START SCREEN features ten on-board computer screens:

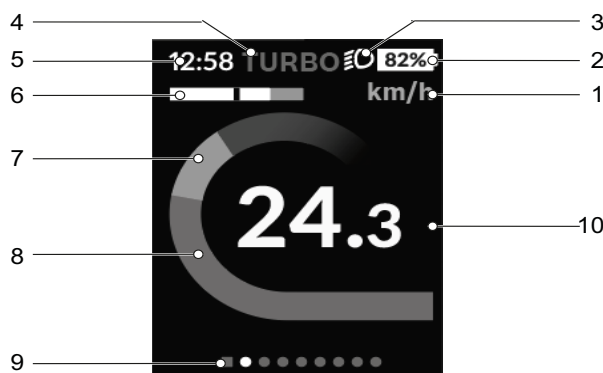


Figure 17: Overview of start screen

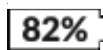
- 1 Unit of speed
- 2 Battery level indicator
- 3 Riding light symbol
- 4 Selected level of assistance indicator
- 5 Clock indicator
- 6 Power evaluation indicator
- 7 Own power indicator
- 8 Motor power indicator
- 9 Guidance bar
- 10 Speed indicator

1. Unit of speed

The unit of speed is displayed in km/h or mph.

2. Battery level indicator


If the on-board computer is removed from its mount, the last battery level message is saved. The battery level indicator can be read on the status screen and in the status bar. You can also see the battery charge level on the LEDs on the battery itself.



Colour of screen	Explanation
White	The battery charge level is over 30%.
Yellow	The battery charge level is between 15% and 30%.
Red	The battery charge level is between 0% and 15%.
Red + !	The capacity for drive assistance has been used up. The assistance is switched off. The remaining capacity is reserved for lighting and the on-board computer. The battery capacity is sufficient for about 2 hours more lighting.

A suitable message will be displayed if the battery is being recharged on the S pedelec. If the on-board computer is removed from its mount, the last battery level message is saved.

3. Riding light symbol

 The riding light symbol is shown when the riding light is on.

4. Level of assistance

The higher the level of assistance, the more the drive system assists the rider when pedalling. eMTB mode is available for Performance Line CX drives. In eMTB mode, the assistance factor and the torque are dynamically adjusted depending on the pedalling force applied to the pedals. If the S pedelec has been configured with "eMTB mode", "eMTB mode" appears briefly when the SPORT level of assistance is selected.

Level of assistance	Use
OFF	When the drive system is switched on, the motor assistance is switched off. The S pedelec can be used like a normal bicycle by simply pedalling. The push assist system cannot be activated.
ECO	Limited assistance with maximum efficiency for maximum range
TOUR	Constant assistance, for long-range tours
SPORT/eMTB	Powerful assistance for sport rides on mountainous routes and on urban roads Optimum assistance on any terrain, sporty start-up, improved dynamics and maximum performance
SPORT	
eMTB	eMTB available in combination with motors: BDU250P CX, BDU365, BDU450 CX and BDU480 CX motors
TURBO	Maximum assistance up to high pedalling frequencies, for sport riding

Table 18: Overview of levels of assistance

5. Clock indicator

The time is displayed in either 12-hour or 24-hour format.

6. Power evaluation indicator



The power evaluation provides a graphic display of the current speed (white bar) in relation to the average speed. The graph allows the rider to see directly whether the current speed is above or below their average speed.

- Left of the black bar = below average speed
- Right of the black bar = above average speed

7. Own power

The power that the rider is currently applying to the pedals is displayed as a bar.

8. Motor power

The motor power used is displayed as a bar. The maximum motor power depends on the selected level of assistance

9. Guidance bar



The guidance bar will tell the rider which screen they are on. The screen that is open is highlighted.

10 Speed

The speed is displayed either in km/h or mph.

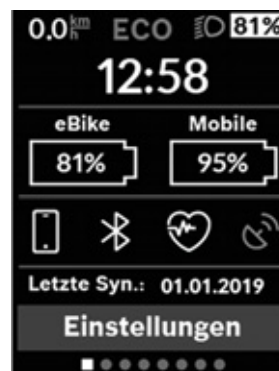
3.8.2.2 Status bar



Overview of status bar

The battery level indicator (1), the riding light symbol (2), the indicator for the selected level of assistance (3) and the clock (4) form the *status bar* and are displayed on all screens. If a value is already displayed on a screen, it is replaced by another value.

3.8.2.3 Status screen



The current time, the charge level for all the S pedelec's (e-bike's) batteries and the charge level for the smartphone battery, if the smartphone is connected via Bluetooth®, are displayed on the status bar on the STATUS SCREEN.

Below, there are icons to display an activated Bluetooth® function or a device connected via Bluetooth®, such as a heart rate monitor. The date of the last synchronisation between the smartphone and Kiox is also displayed.

3.8.2.4 Quick menu

You can use the QUICK MENU to display selected settings which can also be adjusted while you are riding. The following settings can be made on the quick menu.

	Explanation
<TRIP RESET?>	All data are reset to zero for the trip distance up until this point.
<ESHIFT>	The pedalling frequency can be set.

3.8.2.5 Settings

All system and service-relevant values can be read and changed in the settings. The settings menu structure is customised and may change when components or services are added.

Menu	Submenu
Registration	
My eBike	
	→ <Reset>
	→ <Auto reset [Current value]>
	→ <Range>
	→ <eShift>
	→ <Wheel circumference>
	→ <Next Service: [DD. Mon. YYYY] or at [xxxxx] [km]>
	→ <Components>
Bluetooth®	
My profile	
Sys settings	
	→ <Brightness>
	→ <Time>
	→ <Date [DD.Mon.YYYY]
	→ <Time zone>
	→ <24h form (24h time format)>
	→ <Brgh backg. (Bright background)>
	→ <Language>
	→ <Factory reset>
Information	
	→ <Intro to Kiox>
	→ <Registration>
	→ <FAQs>
	→ <Intro to Kiox>
	→ <Certificates>
	→ <Licence info>
	→ <Contact us>

Table 19: Basic structure of Kiox menu and sub-menu

– Registration

Registration with eBike Connect. This menu item is only displayed if the rider has not registered with eBike Connect yet.

– Bluetooth®

→ **Switching the Bluetooth® function on and off**

→ **Add new device or remove a device no longer needed**

→ **Display connected devices**

– My profile

The active user's details.

– My eBike

Menu with seven settings for the S pedelec.

→ **<Reset>**

Displays the point in time of the last reset. Counters such as daily mileage or average values can be reset manually.

→ **<Auto reset [Current value]>**

Counters such as daily mileage or average values can be reset automatically. You can choose between <Off>, <Once a day> or <After 4h>

→ **<Range>**

This is where the value of the range can be reset.

→ **<eShift>**

If the S pedelec is fitted with eShift, this is where the eShift system is configured. The pedalling frequency and the start gear can be set.

→ **<Wheel circumference>**

Adjust the wheel circumference value or reset to the standard setting. The manufacturer wheel circumference can be changed by $\pm 5\%$.

→ **<Next Service: [DD. Mon. YYYY] or at [xxxxx] [km]>**

The manufacturer or specialist dealer can enter a mileage and/or period for the servicing date. Is only displayed if information has been entered.

→ **<Components>**

Display for the components concerned showing the serial number, hardware version, software version and other specifications relevant for components.

– Sys settings

On-board computer settings

→ **<Brightness>**

→ **<Time>**

Setting the clock

→ **<Date [DD.Mon.YYYY]>**

Setting the date

→ **<Time zone>**

Selecting time zone

→ **<24h form (24h time format)>**

Display time in either 12-hour or 24-hour format

- **<Brgh backg. (Bright background)>**
Select a black or white on-board computer design
- **<Imp. units (Imperial units)>**
Select unit for speed and distance
- **<Language>**
Setting the language
- **<Factory reset>**
Resetting to factory settings. All user data will be lost during reset.

– Information

Information on the Kiox on-board computer.

- **<Intro to Kiox>**
Explanation of the key functions and screens
- **<Registration>**
- **<FAQs>**
Information on FAQs (frequently asked questions)
- **<Intro to Kiox>**
- **<Certificates>**
Certifications
- **<Licence info>**
Information on licences
- **<Contact us>**
Contact details

You will find a detailed description of the individual parameters in the online operating instructions at www.Bosch-eBike.com/en/Kiox-manual.

3.8.2.6 Additional journey information for eShift Shimano DI2 and Rohloff

Only applies to S pedelecs with this equipment

The gear speed and shift mode (Manual M/ Automatic A) are always displayed on the start screen. If you are currently viewing another screen, the gear is displayed briefly when the gear is changed. Since the drive unit detects the gear shift and consequently reduces motor assistance briefly, it is also possible to switch gears under load or on hills. If the S pedelec is brought to a halt from a speed greater than 10 km/h, the system can automatically switch back to a pre-set start gear.

3.8.2.7 Additional eShift system setting

Only applies to S pedelecs with this equipment

The following additional functions are available on the function display:

Display	Change
SET START GEAR	You can change the gear in this menu option.

Table 20: Additional journey information

Applies only to S pedelecs with eShift with Shimano DI2 derailleur gears. The following additional functions are available on the function display:

Display	Change
ADJUST GEAR	This is where you can make a fine adjustment to the Shimano DI2. You will find the specified setting range in the gear manufacturer's operating and maintenance instructions. Make the fine adjustment as soon as you hear any unusual noises from the gear shift.

Table 21: Additional journey information

Applies only to S pedelecs with eShift with NuVinci H|Sync/enviolo with Optimized H|Sync

The following additional functions are available on the function display:

Display	Change
CALIBRATION	This is where you can perform a calibration on the continuously variable gear. Follow the instructions on the display.

Table 22: Changing the system settings

3.8.2.8 System message

The drive system monitors itself continuously and if an error is detected, it is indicated by a system message. The system may switch off automatically depending on the type of error. You will find assistance for system messages in Section 8.5 *Initial help*. There is a table of system messages in the Appendix.

3.8.2.9 ABS indicator lamp

Only applies to S pedelecs with this equipment

The ABS indicator lamp must light up after the system has started up and must go out once speed has reached about 5 km/h. If the ABS indicator lamp does not light up when the electric drive system starts, the ABS is defective. An error code on the display also tells the rider that it is defective.

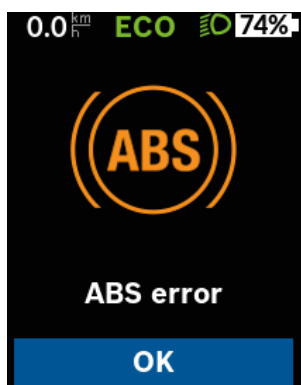


Figure 18: ABS error message on the Kiox display

If the indicator lamp does not go out after you set off or it lights up while you are riding, this means there is an error in the ABS. The ABS is then no longer active. The brake system itself will continue to work. It is only the ABS control which no longer works.

If the ABS indicator lamp is lit, the ABS function is not active.

Notice

The ABS indicator lamp may light up if the front and rear wheels are rotating at widely different speeds from one another – for example, if the rider manoeuvres on the rear wheel only or if a wheel is rotating for a unusually long time without making contact with the ground (fitting stand). The ABS will switch off at such times.

Stop the S pedelec, switch off and restart to reactivate the anti-blocking system.

3.8.3 Operating element

The on-board computer is operated using six buttons on the control panel.

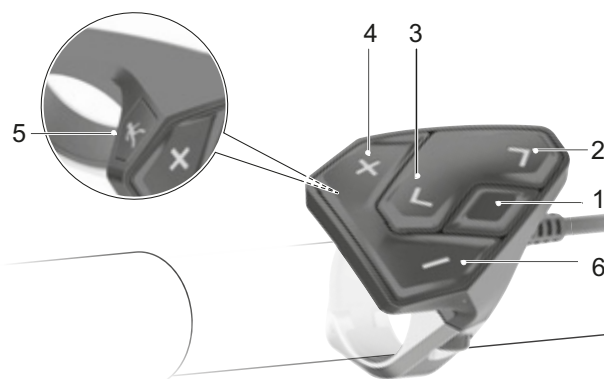


Figure 19: Operating element overview

Symbol	Designation
1	< Back button
2	Select button
3	> Forward button
4	+ Plus button
5	X Push assist button
6	- Minus button

Table 23: Operating element overview

3.8.4 Gear shift

The Automatic+ system is integrated into the drive system and offers an automatic switching option. The automatic enviolo gear shift includes a twist grip with an indicator.

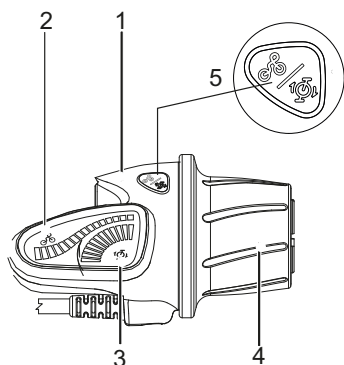


Figure 20: Enviolo twist grip with indicator

- 1 Twist grip with indicator
- 2 Manual gear shift indicator
- 3 Automatic gear shift indicator
- 4 Grip shifter
- 5 Mode button

The rider has the choice between automatic and manual gear switching.

In automatic mode, the system automatically adjusts transmission to maintain the rider's preferred pedalling frequency. The required pedalling frequency is set on the on-board computer.

In manual switching mode, the rider uses the twist grip to shift up and down gears.

3.8.5 Battery level indicator

Each battery has its own level indicator:

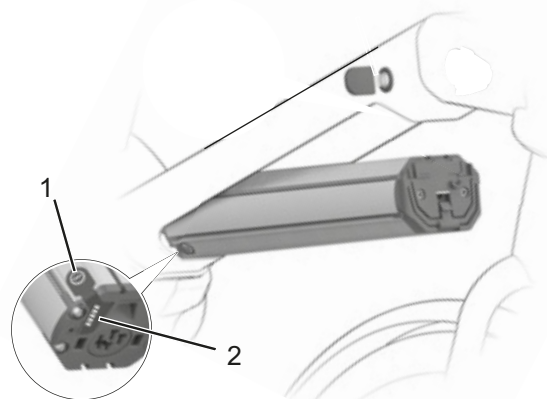


Figure 21: Example of a battery level indicator

- 1 On-Off button (battery)
- 2 Battery level indicator (battery)

The five green LEDs on the battery level indicator show the charge level when the battery is switched on. Each LED represents about 20% of battery capacity. All five LEDs will light up when the battery is fully charged. The charge level for the activated battery is also shown on the *on-board computer*. If the battery level falls below 5%, all the LEDs on the operating status and battery level indicator will go out. However, the battery level is still shown on the *on-board computer*.

3.9 Environmental requirements

You can ride the S pedelec within a temperature range between 5 °C and 35 °C. The electric drive system is limited in its performance outside this temperature range.

Optimal operating temperature	22 °C - 26 °C
--------------------------------------	---------------

Table 24: Optimum temperatures

During winter use, especially at temperatures below 0 °C, we recommend that you do not insert a battery charged and stored at room temperature into the S pedelec until just before setting off. We recommend using thermal protection sleeves when riding longer distances in the cold.

Temperatures under -10 °C and over +40 °C must be avoided.

You must also keep within the following temperature ranges:

Transportation temperature	10 °C - 40 °C
Storage temperature	10 °C - 40 °C
Work environment temperature	15 °C - 25 °C
Charging temperature	10 °C - 40 °C

Table 25: Technical data for the S pedelec

The nameplate contains symbols for the S pedelec's area of use. Check what roads and paths you may use before you ride the S pedelec for the first time.



























Area of use	City and trekking bicycles	Child's bicycles/ bicycles for young adults	Mountain bikes	Racing bicycle	Cargo bike	Folding bicycle
 1	 Suitable for tarmacked and paved roads.	 Suitable for tarmacked and paved roads.		 Suitable for tarmacked and paved roads.	 Suitable for tarmacked and paved roads.	 Suitable for tarmacked and paved roads.
 2	 Suitable for tarmacked roads, cycle paths and firm gravel paths and roads, and longer sections with moderate slopes and jumps up to 15 cm.	 Suitable for tarmacked roads, cycle paths and firm gravel paths and roads, and longer sections with moderate slopes and jumps up to 15 cm.	 Suitable for tarmacked roads, cycle paths and firm gravel paths and roads, and longer sections with moderate slopes and jumps up to 15 cm.	 Suitable for tarmacked roads, cycle paths and firm gravel paths and roads, and longer sections with moderate slopes and jumps up to 15 cm.		
 3			 Suitable for tarmacked roads, cycle paths and easy to demanding off-road riding, sections with moderate slopes and jumps up to 61 cm.			
 4			 Suitable for tarmacked roads, cycle paths and easy to demanding off-road riding, limited downhill use and jumps up to 122 cm.			

Table 26: Area of use

The S pedelec is unsuitable for the following areas of use:

Area of use	City and trekking bicycles	Child's bicycles/ bicycles for young adults	Mountain bikes	Racing bicycle	Cargo bike	Folding bicycle
 1	 Never drive off-road or perform jumps.	 Never drive off-road or perform jumps.		 Never drive off-road or perform jumps.	 Never drive off-road or perform jumps.	 Never drive off-road or perform jumps.
 2	Never drive off-road or perform jumps over 15 cm.	Never drive off-road or perform jumps over 15 cm.	Never drive off-road or perform jumps over 15 cm.	Never drive off-road or perform jumps over 15 cm.		
 3			Never ride downhill or perform jumps over 61 cm.			
 4			Never traverse extremely difficult off-road terrain or perform jumps over 122 cm.			

4 Transporting and storing

4.1 Physical transport characteristics

Weight and dimensions during transportation

Type no.	Frame	Box dim. [cm]	Weight** [kg]	Shipping weight [kg]
KB110-ZXKW	t.b.a.	t.b.a.	t.b.a.	t.b.a.
KB115-ZXKD	t.b.a.	t.b.a.	t.b.a.	t.b.a.
KB115-ZXKT	t.b.a.	t.b.a.	t.b.a.	t.b.a.
KB115-ZXKW	t.b.a.	t.b.a.	t.b.a.	t.b.a.
KB128-ZXKD	t.b.a.	t.b.a.	t.b.a.	t.b.a.
KB128-ZXKW	t.b.a.	t.b.a.	t.b.a.	t.b.a.
KB129-ZXKD	t.b.a.	t.b.a.	t.b.a.	t.b.a.
KB129-ZXKW	t.b.a.	t.b.a.	t.b.a.	t.b.a.
KB131-ZXKD	t.b.a.	t.b.a.	t.b.a.	t.b.a.
KB132-ZXFD	t.b.a.	t.b.a.	t.b.a.	t.b.a.
KB132-ZXFW	t.b.a.	t.b.a.	t.b.a.	t.b.a.
KB138-ZXKD	t.b.a.	t.b.a.	t.b.a.	t.b.a.

Table 27: Type number, model and S pedecec type

* Vehicle weight without battery. The vehicle's total weight depends on the battery used.

PowerTube 500 battery	2.9 kg
PowerTube 625 battery	3.5 kg

4.1.1 Designated handles/lifting points

The box does not have any handles.

4.2 Transportation



Crash caused by unintentional activation

There is a risk of injury if the drive system is activated unintentionally.

- ▶ Remove the battery.

4.2.1 Using the brake transport securing system



Oil leak if no transport securing device

The brake securing device prevents the brakes from being applied accidentally during transportation or shipment. This could cause irreparable damage to the brake system or an oil leak, which will harm the environment.

- ▶ Never push the brake lever when the wheel has been dismantled.
 - ▶ Always use the transport securing system when transporting or shipping.
-
- ▶ Insert the **transport securing devices** between the brake linings.
- ⇒ Transport securing device is squeezed between the two linings and prevents undesired sustained braking which can cause brake fluid to leak out.

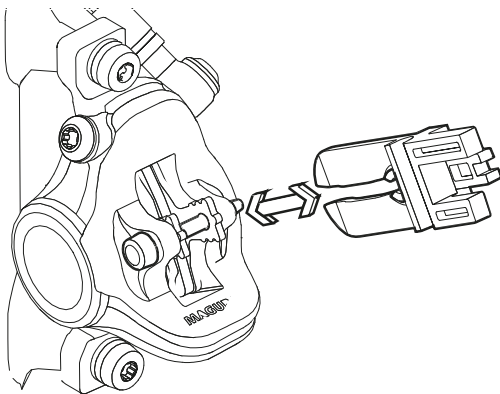


Figure 22: Fastening the transport securing device

4.2.2 Transporting the S pedelec

Bicycle racks which use the handlebars or frame to hold the S pedelec in an upside-down position exert inadmissible forces on its components during transportation. This can cause the supporting parts to break.

- ▶ Never use bicycle racks which use the S pedelec's handlebars or frame to hold it in an upside-down position. The specialist dealer will advise you on how to select a suitable rack system properly and how to use it safely.
- ▶ Take the weight of the ready-to-use S pedelec into account when transporting.
- ▶ Protect the electrical components and connections on the S pedelec from the elements with suitable protective covers.
- ▶ Transport the battery in a dry, clean position where it is protected from direct sunlight.

4.2.3 Shipping the S pedelec

- ▶ If the S pedelec is being shipped anywhere, it is recommended that the specialist dealer be entrusted with packaging it correctly.

4.2.4 Transporting the battery

Batteries are subject to hazardous goods regulations. Undamaged batteries may be transported by private persons in road traffic.

Commercial transport requires compliance with regulations concerning packaging, labelling and the transportation of hazardous goods. Open contacts must be covered and the battery securely packaged.

4.2.5 Shipping the battery

The battery is considered a hazardous good and only trained persons may pack and ship a battery. Contact your specialist dealer.

4.3 Storing



Accident after storage

The brake system is not designed for use on an S pedelec which is placed on its side or turned upside down. The brake may not function correctly as a result. This can cause a crash, which may result in injuries.

- ▶ If the S pedelec is placed on its side or turned upside down, apply the brakes a couple of times before setting off to ensure that they work as normal.

- ▶ Store the S pedelec, on-board computer, battery and charger in a clean, dry place where they are protected from sunlight. Do not store outdoors to ensure a long service life.

Optimum storage temperature for the S pedelec	10 °C - 20 °C
---	---------------

Table 28: Storage temperature for batteries and the S pedelec

- ✓ Temperatures under -10 °C or over +40 °C must generally be avoided.
- ✓ Storage at about 10 °C to 20 °C is beneficial to a long battery life.
- ✓ Store the S pedelec, on-board computer, battery and charger separately.

4.3.1 Storage mode

The on-board computer features a power-saving storage mode, which minimises discharge from the on-board computer battery. The date and time are eliminated during storage mode.

4.3.1.1 Activating

The display will no longer start up when you press the **On-Off button (on-board computer)** briefly once in storage mode.

- ▶ Press and hold the **On-Off button (on-board computer)** for at least 8 seconds.
- ⇒ Storage mode is activated if the on-board computer does not start after the **On-Off button (on-board computer)** is pressed briefly.

4.3.1.2 Deactivating

- ▶ Press and hold the **On-Off button (on-board computer)** for at least 2 seconds.
- ⇒ Storage mode is deactivated.

4.3.2 Break in operation

Notice

The battery discharges when not in use. This can cause irreparable damage to the battery.

- ▶ The battery must be recharged every 6 months.

The battery may become damaged if it is connected permanently to the charger.

- ▶ Never connect the battery to the charger permanently.

The on-board computer battery discharges when it is not in use. This can cause irreparable damage to the on-board computer.

- ▶ The battery must be recharged every 3 months.

- ▶ Remove the on-board computer from its mount if the S pedelec is not going to be used for four weeks. Store the on-board computer away safely in a dry environment at room temperature.
- ▶ If the S pedelec is removed from service for longer than four weeks, you need to prepare it for a break in operation.

4.3.2.1 Preparing a break in operation

- ✓ Remove the rechargeable battery from the S pedelec.
- ✓ Charge battery to around 30%–60%.
- ✓ Clean the S pedelec with a damp cloth and apply wax spray to provide protection. Never wax the friction surfaces of the brake.
- ✓ Before longer periods without use, it is recommendable to have your specialist dealer carry out an inspection and basic cleaning and apply preservative agent.

4.3.2.2 Carrying out a break in operation

- 1 Store the S pedelec, battery and charger in a dry, clean environment. We recommend storing them in uninhabited rooms with smoke alarms. Dry locations with an ambient temperature of about 10 °C to 20 °C are ideal.
- 2 Recharge the on-board computer battery for at least 1 hour every 3 months.
- 3 Check the battery level after 6 months. If only one battery level LED indicator lights up, recharge the battery to around 30%–60%.



5 Assembly

WARNING

Risk of eye injury

Problems may arise if the settings are not made to components correctly and you may sustain serious injuries as a result.

- ▶ Always wear safety glasses to protect your eyes during assembly.

CAUTION

Crash and crushing hazard caused by unintentional activation

There is a risk of injury if the drive system is activated unintentionally.

- ▶ Remove the battery.

- ✓ Assemble the S pedelec in a clean, dry environment.
- ✓ The *work environment* temperature should be between 15 °C and 25 °C.
- ✓ The fitting stand used must be approved for a maximum weight of at least 30 kg.

5.1 Required tools

The following tools are required to assemble the S pedelec:

- Knife
- Hexagon socket spanner 2 (2.5 mm, 3 mm, 4 mm, 5 mm, 6 mm and 8 mm)
- Torque wrench with working range between 5 and 40 Nm
- Spline nut socket T25
- Ring spanner (8 mm, 9 mm, 10 mm), 13 mm, 14 mm and 15 mm) and
- Cross, flat head and ordinary screwdriver.

5.2 Unpacking

The packaging material consists mainly of cardboard and plastic film.

- ▶ The packaging has to be disposed of in accordance with the regulations of the authorities.

5.2.1 Scope of delivery

S pedelec are fully assembled in the factory for test purposes and then dismantled for transportation.

The S pedelec is 95 - 98% pre-assembled. The scope of delivery includes:

- the pre-assembled the S pedelec
- the front wheel
- the pedals
- quick release (optional)
- the charger
- the *operating and maintenance instructions*.

The battery is supplied separately from the S pedelec.

5.3 Commissioning



Burns from hot drive

The drive cooler can become extremely hot during use. Touching it may cause burns.

- ▶ Leave the drive unit to cool before assembly.

Only trained specialist staff may perform initial commissioning since initial commissioning of the S pedelec requires special tools and specialist knowledge.

Experience has shown that a S pedelec which has not yet been sold is automatically handed to customers as soon as it appears ready to ride.

- ▶ For this reason, every S pedelec must be prepared, so it is fully ready for use immediately after being assembled.
- ▶ The assembly report (see Section 11.2) describes all safety-relevant inspections, tests and maintenance tasks. All assembly work must be completed to ensure the S pedelec is ready to ride.
- ▶ Complete an assembly report for quality assurance purposes.

5.4 Preparing the battery

5.4.1 Checking the battery

The battery must be checked before it is charged for the first time.

- 1 Press the **On-Off button (battery)**.
 - ⇒ If none of the LEDs on the battery level indicator light up, the battery may be damaged.
 - ⇒ The battery may be fully charged if at least one, but not all, of the LEDs on the battery level indicator is lit up.

5.4.2 Retrofitting the PowerTube adapter

A PowerTube Adapter 400 and 500 needs to be retrofitted to use a Bosch PowerTube 625 battery.

- 1 Use a TORX® T25 wrench to undo the screws in the battery mount.



Figure 23: Undoing screws on battery mount

- 2 Use a ratchet to remove the two 4 mm hexagon screws in the PowerTube adapter. If you don't have a ratchet, you can use a hexagonal key to remove the screws.



Figure 24: Removing the 4 mm hexagon screws

- 3 Use a ratchet to remove the two 4 mm hexagon screws in the PowerTube adapter.

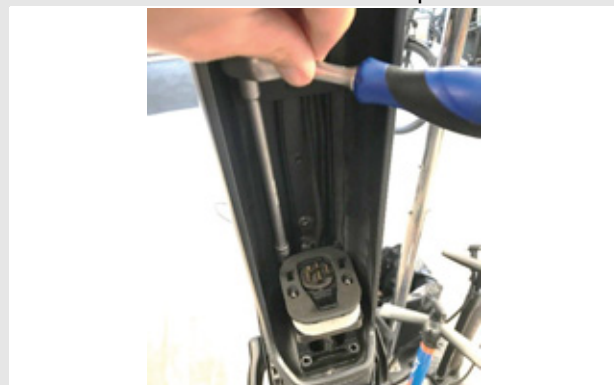


Figure 25: Removing hexagon screws

- 4 Pull out the PowerTube adapter.



Figure 26: Pulling out the PowerTube adapter

- 5 Use adapter plates to adjust the distance if necessary.



Figure 27: Fitted adapter plates

- 6 Use a TORX® T25 wrench to fasten the screws into the battery mount.

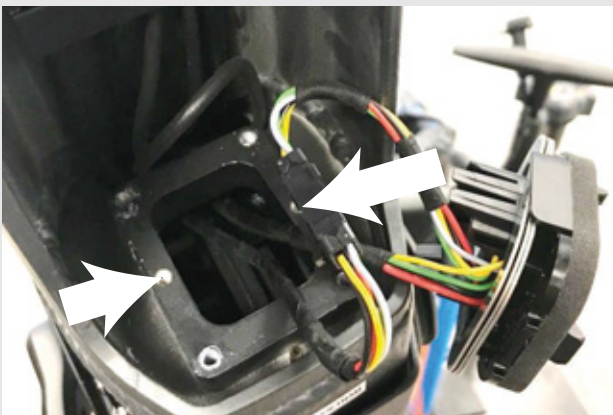


Figure 28: Fastening the battery mount

5.4.3 Fit battery cover onto Bosch PowerTube 625 battery (horizontal)

- 1 Detach the upper interface (lock side) from the Bosch PowerTube 625 battery with a TORX® T20 wrench.



Figure 29: Detaching the upper interface

- 2 Screw the battery mounting plate onto the PowerTube 625 battery with original Bosch screws (M4 × 8 T20). In doing so, ensure that the removal tab faces the front of the battery.



Figure 30: Fitting the mounting plate

- 3 Press to push the battery cover onto the battery. In doing so, ensure that the battery On-Off switch fits through its designated slot in the cover.



Figure 31: Pushing the battery cover onto battery

- ⇒ The battery cover will lock into the fitting grooves on the battery.
- ⇒ The battery can now be inserted into the frame.

5.4.4 Fit battery cover onto Bosch PowerTube 500 battery (horizontal)

- 1 Detach the upper interface (lock side) from the Bosch PowerTube 625 battery with a TORX® T20 wrench.



Figure 32: Detaching the upper interface

- 2 Fasten the PowerTube extension to the Bosch PowerTube 500 battery using the two M4 x 8 T20 screws supplied. In doing so, ensure that the closed side faces the front of the battery (towards On-Off switch). The smooth upper surface of the PowerTube extension must face upwards, away from the battery.



Figure 33: Fitting the PowerTube extension

- 3 Screw the battery mounting plate onto the PowerTube extension with original Bosch screws (M4 x 8 T20). To do so, use the PowerTube extension screw plate as a counter support. When positioning the extension, ensure that the removal tab faces the front of the battery.



Figure 34: Fastening the battery mounting plate

- 4 Press to push the battery cover onto the battery. In doing so, ensure that the battery On-Off switch fits through its designated slot in the cover.



Figure 35: Pushing the battery cover onto battery

- ⇒ The battery cover will lock into the fitting grooves on the battery.
- ⇒ The battery can now be inserted into the frame.

5.5 Preparing the on-board computer

- ▶ The on-board computer is delivered with a partially charged rechargeable battery. Charge this battery via the USB port or the system for at least one hour before it is used for the first time.
- ▶ Attach the control panel in such a way that the buttons are almost vertical to the handlebars.
- ▶ Set the language when you first put it into operation.

5.5.1 Installing the wheel in the Suntour fork

5.5.1.1 Screw-on axle (15 mm)

Only applies to Suntour forks with 15 mm screw-on axle

- 1 Insert the axle completely on the drive side.

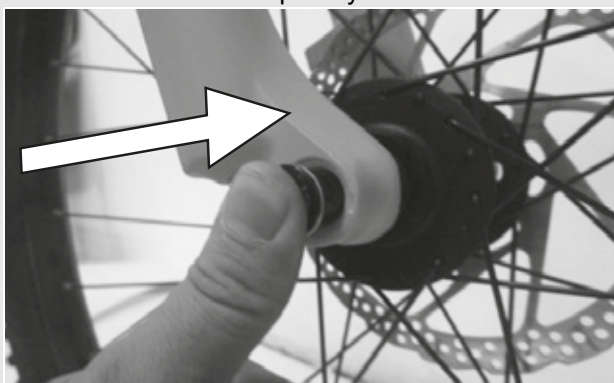


Figure 36: Fully inserting the axle

- 2 Tighten the axle to 8–10 Nm with a 5 mm hexagon socket spanner.

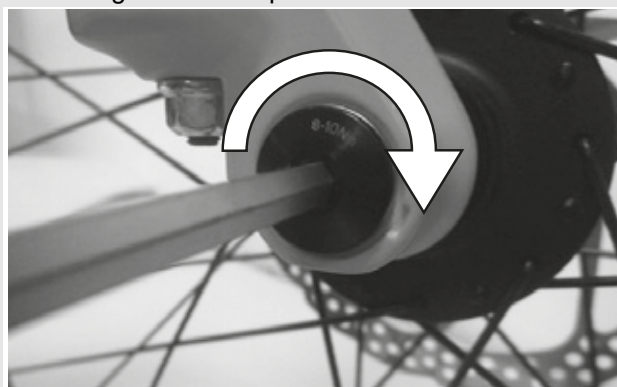


Figure 37: Tightening the axle

- 3 Insert the securing screw on the non-drive side.



Figure 38: Pushing the quick release lever into the axle

- 4 Tighten the securing screw with a 5 mm hexagon socket spanner to 5–6 Nm.

⇒ The lever is mounted.

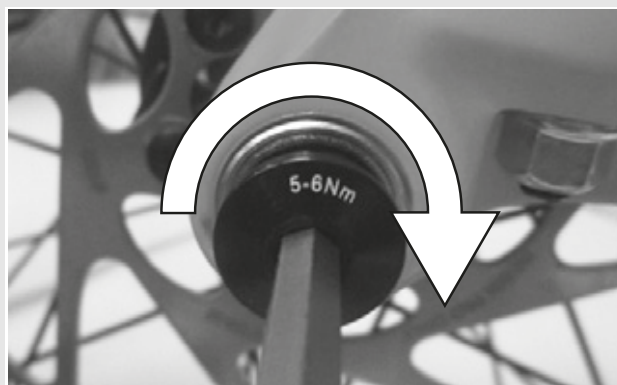


Figure 39: Tightening the securing screw

5.5.1.2 Screw-on axle (20 mm)

Only applies to Suntour forks with 20 mm screw-on axle

- 1 Insert the axle completely on the drive side.

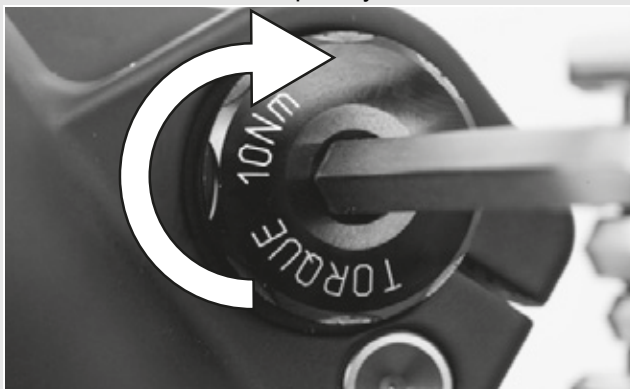


Figure 40: Tightening the inserted axle

- 2 Tighten the securing clip with a 4 mm hexagon socket spanner to 7 Nm.



Figure 41: Tightening the securing clip

5.5.1.3 Quick release axle

Only applies to Suntour forks with screw-on axle

CAUTION

Crash caused by loose quick release axle

A faulty or incorrectly installed quick release axle may become caught in the brake disc and block the wheel. This will cause a crash.

- ▶ Never fit a defective quick release axle.

Crash caused by faulty or incorrectly installed quick release axle

The brake disc becomes very hot during operation. Parts of the quick release axle may become damaged as a result. The quick release axle becomes loose. This will cause a crash with injuries.

- ▶ The quick release axle and the brake disc must be opposite one another.

Crash caused by incorrectly set quick release axle

Insufficient clamping force will result in unfavourable transmission of force. The suspension fork or the quick release axle may break. This will cause a crash with injuries.

- ▶ Never fasten a quick release axle with a tool, such as a hammer or pliers.

- 1 Insert the axle into the hub on the drive side.

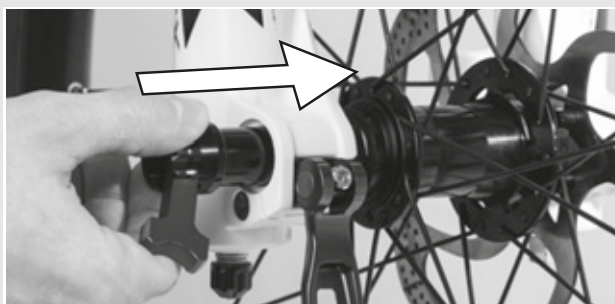


Figure 42: Pushing the axle into the hub

- 2 Tighten the axle with the red handle.

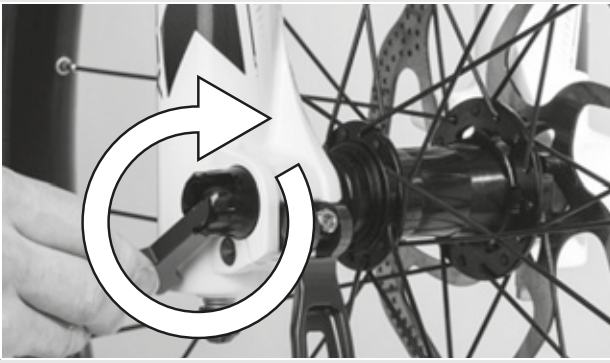


Figure 43: Tightening the axle

- 3 Push the quick release lever into the axle.

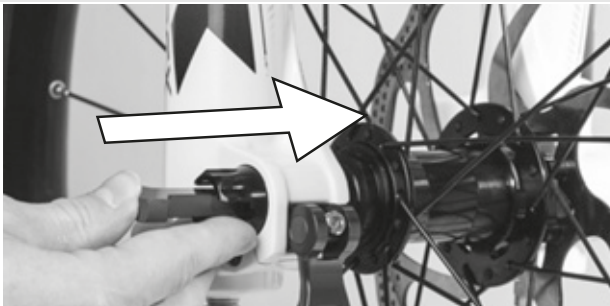


Figure 44: Pushing the quick release lever into the axle

- 4 Turn the quick release lever.

⇒ The lever is secured.



Figure 45: Securing the lever

- 5 Check the position and clamping force of the quick release lever. The quick release lever must be flush with the lower housing. You must be able to see a slight impression on the palm of your hand when you close the quick release lever.



Figure 46: Perfect position for the clamping lever

- 6 Use 4 mm hexagon socket spanner to adjust the clamping lever clamping force if required.

- 7 Check the quick release lever position and clamping force.

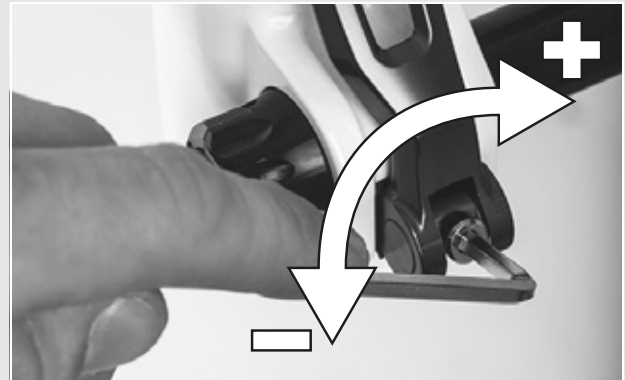


Figure 47: Adjusting the quick release clamping force

5.5.1.4 Quick release

Only applies to Suntour forks with quick release

CAUTION

Crash caused by unfastened quick release

A faulty or incorrectly installed quick release may become caught in the brake disc and block the wheel. This will cause a crash.

- ▶ Never fit a defective quick release.

Crash caused by faulty or incorrectly installed quick release

The brake disc becomes very hot during operation. Parts of the quick release may become damaged as a result. The quick release comes loose. This will cause a crash with injuries.

- ▶ The front wheel quick release lever and the brake disc must be situated on opposite sides.

Crash caused by incorrectly set clamping force

Excessively high clamping force will damage the quick release and cause it to lose its function.

Insufficient clamping force will result in unfavourable transmission of force. The suspension fork or the quick release may break. This will cause a crash with injuries.

- ▶ Never fasten a quick release using a tool (e.g. hammer or pliers).
- ▶ Only use the clamping lever with the specified set clamping force.

- 1 Before installing, ensure that the quick release flange is extended. Open the lever fully.

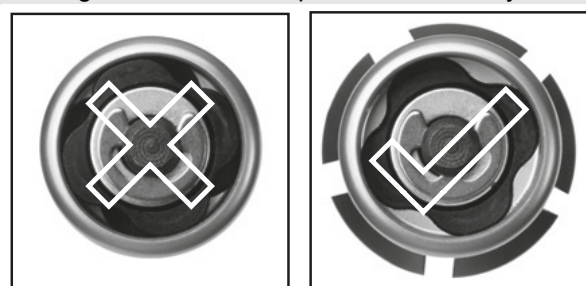


Figure 48: Open and closed flange

- 2 Push in the quick release until you can hear a click. Make sure that the flange is extended.



Figure 49: Pushing the quick release in

- 3 Adjust tensioning with half-open clamping lever until the flange reaches the fork end.

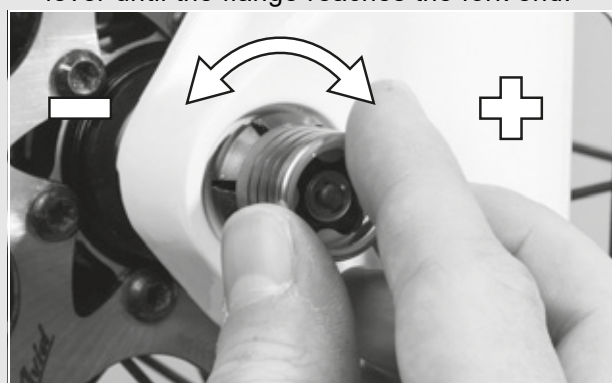


Figure 50: Adjusting the clamping

- 4 Fully close the quick release. Check that the quick release is firmly in place and adjust it on the flange if necessary.

⇒ The lever is secured.



Figure 51: Closing the quick release

5.5.2 Installing the wheel in the FOX fork

5.5.2.1 Quick release (15 mm)

Only applies to FOX forks with 15 mm screw-on axle

The procedure for installing the 15 x 100 mm and 15 x 110 mm quick releases is the same.

- 1 Place the front wheel in the fork ends of the fork. Push the axle through the fork end on the non-drive side and hub.

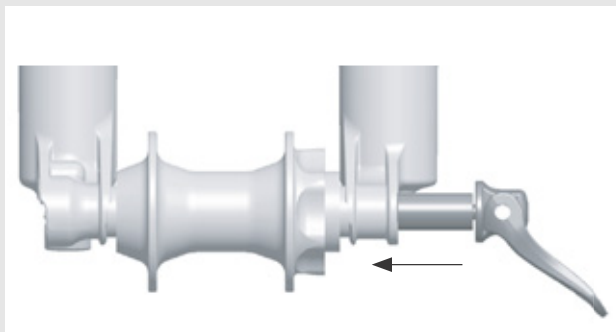


Figure 52: Pushing the quick release in

- 2 Open the axle lever.
- 3 Turn the axle five to six complete revolutions clockwise into the axle nut.
- 4 Close the quick release lever. The lever must be tensioned to the point that it leaves a mark on your hand.
- 5 The lever must be 1 to 20 mm ahead of the fork leg in the closed position.

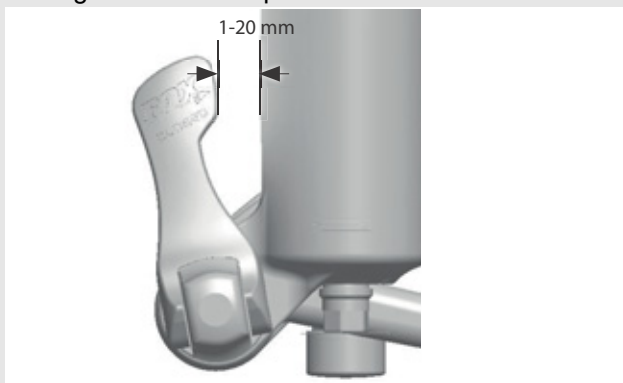


Figure 53: Spacing between lever and fork leg

- ⇒ The quick release must be adjusted if the lever is tensioned inadequately or too strongly when closed in the recommended position (1 to 20 mm in front of the fork).

Setting the quick releases

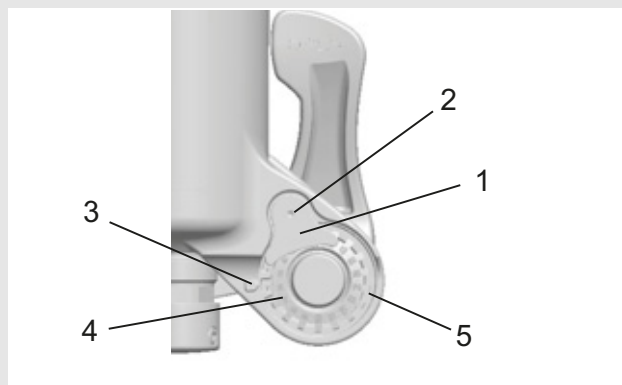


Figure 54: Structure of quick release from rear with (1) axle nut lock and (5) axle nut

- 1 Record the axle setting value (4) indicated by the directional arrow (3).
- 2 Loosen the axle nut securing screw (2) with a 2.5 mm hex key by approx. four revolutions, but do not remove the screw completely.
- 3 Turn the quick release lever to the open position and loosen the axle by approx. four revolutions.
- 4 Press the axle inward from the side of the open lever. This pushes out the axle nut securing screw so that you can turn it out of the way.
- 5 Push the axle further forward and turn the axle nut clockwise to increase the lever tension or anti-clockwise to reduce the lever tension.
- 6 Reinsert the axle nut lock and tighten the screw to 0.9 Nm (8 in-lb).
- 7 Repeat the steps for installing the axle to check proper installation and correct adjustment.

5.5.2.2 Kabolt axle

Only applies to FOX forks with Kabolt axles

The procedure for installing the 15 x 100 mm and 15 x 110 mm Kabolt axles is the same.

- 1 Place the front wheel in the fork ends of the fork. Push the Kabolt axle through the fork end on the non-drive side and hub.

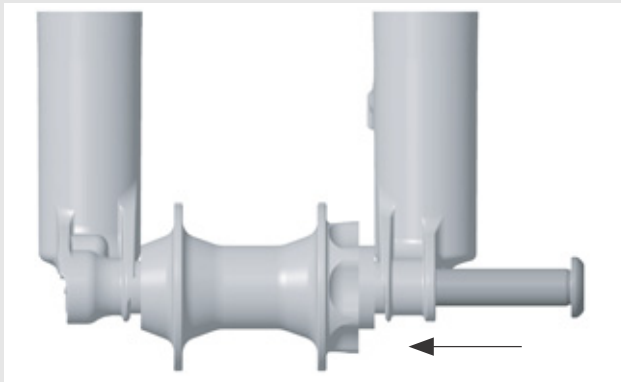


Figure 55: Pushing the Kabolt axle in

- 2 Tighten the Kabolt axle screw to 17 Nm (150 in-lb) with a 6 mm hex key.

5.5.3 Checking the stem and handlebars

5.5.3.1 Checking the connections

- 1 Stand in front of the S pedelec to check whether the handlebars, stem and fork steerer are firmly attached to one another. Clamp the front wheel between your legs. Grasp the handlebar grips.
- 2 Try to twist the handlebars towards the front wheel.

⇒ The stem must not move or twist.

5.5.3.2 Firm hold

- 1 Place your entire body weight on the handlebars with the quick release lever closed to check that the stem is firmly in place.

⇒ The handlebars shaft must not move downwards in the fork steerer.
- 2 If the handlebars shaft should move in the fork steerer, increase the quick release lever tensioning. To do so, turn the knurled nut slightly clockwise with the quick release lever open.
- 3 Close the lever and check the stem is firmly in position.

5.5.3.3 Checking the headset backlash

- 1 To check the handlebar headset backlash, close the quick release lever on the stem.
- 2 Place the fingers of one hand on the upper headset cup. Pull the front wheel brake with the other hand and try to push the S pedelec backwards and forwards.
- 3 The headset cup halves must not move towards one another while you are doing this. Note that there may be noticeable backlash due to worn-out bearing bushes or brake lining backlash in suspension forks and disc brakes.
- 4 If there is headset backlash in the steering headset, you must adjust it as soon as possible; otherwise, the headset will become damaged. You must make the adjustment as described in the stem manual.

5.6 Selling the S pedelec

- ▶ Complete the S pedelec pass on the operating and maintenance instructions envelope.
- ▶ Note down the manufacturer and the number of the battery key.
- ▶ Adjust the S pedelec to the rider; see Section 6.5.
- ▶ Adjust the stand and shifter.
- ▶ Instruct the operator or rider on how to use all the S pedelec functions.

6 Operation

6.1 Risks and hazards

WARNING

Injuries and death caused by other road users

Other road users, trucks, cars or pedestrians often underestimate the speed of S pedelecs. Other road users also frequently do not see S pedelec. This may cause a crash with serious and fatal injuries.

- ▶ Wear a cycling helmet and high-visibility, reflective clothing.
- ▶ Always take a defensive approach to riding.
- ▶ Avoid the blind spots of vehicles turning off. Reduce speed as a precaution when other road users turn right.

Injuries and death caused by riding incorrectly

A S pedelec is not a bicycle. Incorrect riding and underestimated speeds soon result in hazardous situations. This may cause a fall with serious and fatal injuries.

- ▶ If you haven't ridden on a S pedelec for some time, get accustomed to the speed first before you ride at speeds over 12 km/h. Increase the levels of assistance gradually.
- ▶ Practice braking hard on a regular basis.
- ▶ Take and complete a riding safety course.

CAUTION

Crash caused by loose clothing

Shoe laces, scarves and other loose items may become entangled in the spokes on the *wheels* and on the *chain drive*. This may cause a crash with injuries.

- ▶ Wear sturdy footwear and close-fitting clothing.

CAUTION

Crash caused by difficult-to-spot damage

If the S pedelec topples over or you have a fall or an accident, there may be difficult-to-spot damage to components such as the brake system, quick releases or the *frame*. This may cause a crash with injuries.

- ▶ Take the S pedelec out of service and have a specialist dealer carry out an inspection.

Crash caused by material fatigue

Intensive use can cause material fatigue. A component may suddenly fail in case of material fatigue. This may cause a crash with injuries.

- ▶ Remove the S pedelec from service immediately if there are any signs of material fatigue. Have the specialist dealer check the state.
- ▶ Have the specialist dealer carry out a basic inspection regularly. During the inspection, the specialist dealer will inspect the S pedelec for any signs of material fatigue on the frame, fork, suspension element mountings (if there are any) and components made of composite materials.

Carbon becomes brittle when exposed to heat radiation such as heating. This can cause the carbon part to break and result in a crash with injuries.

- ▶ Never expose carbon parts on the S pedelec to strong sources of heat.

Crash caused by soiling

Thick dirt can impair S pedelec functions, such as braking. This may cause a crash with injuries.

- ▶ Remove coarse soiling before riding.

 **CAUTION**
Crash caused by poor road conditions

Loose objects, such as branches and twigs, may become caught in the wheels and cause a crash with injuries.

- ▶ Be aware of the road conditions.
- ▶ Ride slowly and brake in good time.

Notice

Heat or direct sunlight can cause the *tyre pressure* to increase above the permitted maximum pressure. This can destroy the *tyres*.

- ▶ Never park the S pedelec in the sun.
- ▶ On hot days, regularly check the *tyre pressure* and adjust it as necessary.

When riding downhill, high speeds may be reached. The S pedelec is only designed to exceed a speed of 25 km/h for short intervals. The *tyres* in particular can fail if exposed to a continuous load.

- ▶ Use the brakes to decelerate the S pedelec if you reach speeds greater than 25 km/h.

Notice

Moisture penetrating at low temperatures may impair individual functions due to the open structural design.

- ▶ Keep the S pedelec dry and free from frost at all times.
- ▶ If the S pedelec is to be used at temperatures below 3 °C, the specialist dealer must carry out an inspection and prepare it for winter use.

Off-road riding subjects the joints in the arms to severe strain.

- ▶ Take a break from riding every 30 to 90 minutes, depending on the road surface conditions

6.1.1 Personal protective equipment

It is recommended that you wear a suitable cycling helmet, sturdy footwear and typical, close-fitting, reflective sports clothing.

6.2 Tips for a greater range

The S pedelec's range depends on many influencing factors. A single battery charge may only last fewer than 20 kilometres but much more than 100 is also possible. There are a few tips which will generally help you maximize range.

Suspension elements

- ▶ Only open suspension fork and damper when necessary on terrain or gravel paths. Block suspension fork and damper on tarmacked roads or on hills.

Pedalling frequency

- ▶ Ride using pedalling frequencies of over 50 revolutions per minute. This optimises the electric drive's efficiency.
- ▶ Avoid pedalling very slowly.

Weight

- ▶ Minimise the total weight of the S pedelec and baggage.

Stopping and starting

- ▶ Ride long distances at a constant speed.
- ▶ Avoid stopping and starting frequently.

Gear shift

- ▶ Use a low gear and a low level of assistance on hills and when setting off.
- ▶ Switch up a gear depending on the speed and terrain.

Tyre pressure

- ▶ Always use the maximum permitted tyre pressure.

Motor power and own power indicators

- ▶ Adjust your riding to the two indicators. The higher your own power is, the less energy will be consumed and the greater the range will be.

Battery and temperature

Electrical resistance increases as the temperature drops. Battery performance is reduced. As a result, you should expect the range to be shorter than normal in winter.

- ▶ Use a thermal protection sleeve on the battery in winter.

6.3 Error message

6.3.1 On-board computer

The drive system monitors itself continuously and displays a number as an error message if a known error is detected. The system may switch off automatically depending on the type of error.

Code	Description	Method of resolution
410	One or more on-board computer buttons are blocked	<ul style="list-style-type: none"> ▶ Check whether buttons are jammed because dirt has accumulated between them, for example. ▶ Clean buttons if necessary.
414	Control panel connection problem	<ul style="list-style-type: none"> ▶ Contact specialist dealer. Have ports and connections checked.
418	One or more buttons on the control panel are blocked	<ul style="list-style-type: none"> ▶ Check whether buttons are jammed because dirt has accumulated between them, for example. ▶ Clean buttons if necessary.
419	Configuration error	<ol style="list-style-type: none"> 1 Re-start the system. 2 Contact your specialist dealer if the problem persists.
422	Motor connection problem	<ul style="list-style-type: none"> ▶ Have ports and connections checked.
423	Battery connection problem	<ul style="list-style-type: none"> ▶ Have ports and connections checked.
424	Communication error with components communicating with one another	<ul style="list-style-type: none"> ▶ Have ports and connections checked.
426	Internal time-out error	<p>It is not possible to display or adjust the tyre size in the basic settings menu in this error status.</p> <ol style="list-style-type: none"> 1 Re-start the system. 2 Contact your specialist dealer if the problem persists.
430	On-board computer battery flat	<ul style="list-style-type: none"> ▶ Charge the battery (in its mount).
431	Software version error	<ol style="list-style-type: none"> 1 Re-start the system. 2 Contact your specialist dealer if the problem persists.
440	Internal motor error	<ol style="list-style-type: none"> 1 Re-start the system. 2 Contact your specialist dealer if the problem persists.
450	Internal software error	<ol style="list-style-type: none"> 1 Re-start the system. 2 Contact your specialist dealer if the problem persists.
460	USB connection error	<ol style="list-style-type: none"> 1 Re-start the system. 2 Contact your specialist dealer if the problem persists.

Table 29: List of on-board computer error messages

Code	Description	Method of resolution
490	Internal on-board computer error	<ul style="list-style-type: none"> ▶ Have on-board computer checked.
500	Internal battery error	<ol style="list-style-type: none"> 1 Re-start the system. 2 Contact your specialist dealer if the problem persists.
502	Fault in the lighting	<ol style="list-style-type: none"> 1 Check the light and its cabling. 2 Re-start the system. 3 Contact your specialist dealer if the problem persists.
503	Speed sensor error	<ol style="list-style-type: none"> 1 Re-start the system. 2 Contact your specialist dealer if the problem persists.
504	Speed signal manipulation detected	<ul style="list-style-type: none"> ▶ Check position of spike magnets and re-adjust if necessary. ▶ Check for manipulation. ▶ Assistance from drive has been reduced.
510	Internal sensor error	<ol style="list-style-type: none"> 1 Re-start the system. 2 Contact your specialist dealer if the problem persists.
511	Battery internal error	<ol style="list-style-type: none"> 1 Re-start the system. 2 Contact your specialist dealer if the problem persists.
530	Battery error	<ol style="list-style-type: none"> 1 Switch off system. 2 Remove the battery. 3 Re-insert battery. 4 Re-start electric drive system. 5 Contact your specialist dealer if the problem persists.
531	Configuration error	<ol style="list-style-type: none"> 1 Re-start the system. 2 Contact your specialist dealer if the problem persists.
540	Temperature error The S pedelec is outside the permitted temperature range.	<ol style="list-style-type: none"> 1 Switch off the system to cool the motor and battery down or warm them to the permitted temperature range. 2 Re-start the system. 3 Contact your specialist dealer if the problem persists.
550	An inadmissible electrical load has been detected	<ol style="list-style-type: none"> 1 Remove consumer. 2 Re-start the system. 3 Contact your specialist dealer if the problem persists.

Table 29: List of on-board computer error messages

Code	Description	Method of resolution
580	Software version error	<ol style="list-style-type: none"> 1 Re-start the system. 2 Contact your specialist dealer if the problem persists.
591	Authentication error	<ol style="list-style-type: none"> 1 Switch off system. 2 Remove the battery. 3 Re-insert battery. 4 Re-start the system. 5 Contact your specialist dealer if the problem persists.
592	Incompatible component	<ol style="list-style-type: none"> 1 Insert compatible on-board computer. 2 Re-start the system. 3 Contact your specialist dealer if the problem persists.
593	Configuration error	<ol style="list-style-type: none"> 1 Re-start the system. 2 Contact your specialist dealer if the problem persists.
595	CAN bus communication error; Rohloff E-14 not found in the first 10 seconds after the system start-up	<ol style="list-style-type: none"> 1 Check whether the current Rohloff E-14 firmware is installed; update if not. 2 Re-start the system. 3 Contact your specialist dealer if the problem persists.
596	CAN bus communication error; Rohloff E-14 not found for longer than 1 second during operation	<ol style="list-style-type: none"> 1 Check whether the current Rohloff E-14 firmware is installed; update if not 2 Check cabling to the gears: 3 Re-start the system. 4 Contact your specialist dealer if the problem persists.
602	Internal battery error	<ol style="list-style-type: none"> 1 Re-start the system. 2 Contact your specialist dealer if the problem persists.
603	Internal battery error	<ol style="list-style-type: none"> 1 Re-start the system. 2 Contact your specialist dealer if the problem persists.
605	Battery temperature error The S pedelec is outside the permitted temperature range.	<ol style="list-style-type: none"> 1 Switch off the system to cool the motor and battery down or warm them to the permitted temperature range. 2 Disconnect charger from battery. 3 Re-start the system. 4 Contact your specialist dealer if the problem persists.

Table 29: List of on-board computer error messages

Code	Description	Method of resolution
606	External battery error	<ol style="list-style-type: none"> 1 Check the cabling. 2 Re-start the system. 3 Contact your specialist dealer if the problem persists.
610	Battery voltage error	<ol style="list-style-type: none"> 1 Re-start the system. 2 Contact your specialist dealer if the problem persists.
620	Charger error	<ol style="list-style-type: none"> 1 Replace charger. 2 Contact your specialist dealer if the problem persists.
640	Internal battery error	<ol style="list-style-type: none"> 1 Re-start the system. 2 Contact your specialist dealer if the problem persists.
655	Multiple battery error	<ol style="list-style-type: none"> 1 Switch off system. 2 Remove the battery. 3 Re-insert battery. 4 Re-start the system. 5 Contact your specialist dealer if the problem persists.
656	Software version error	<ul style="list-style-type: none"> ▶ Contact your specialist dealer to install a software update.
7xx	Error in third-party components	<ul style="list-style-type: none"> ▶ Please observe the gear shift manufacturer's operating and maintenance instructions.
740	Rohloff E-14 is blocked	<ol style="list-style-type: none"> 1 Re-start the system. 2 Avoid applying too much force to pedals. 3 Contact your specialist dealer if the problem persists.
741	Rohloff E-14 position sensor defective	<ul style="list-style-type: none"> ▶ Contact your specialist dealer.
743	Power supply to Rohloff E-14 too low	<ul style="list-style-type: none"> ▶ Contact your specialist dealer.
744	Communication error between Rohloff E-14 shifting unit and Rohloff E-14 DC/DC-CAN converter	<ul style="list-style-type: none"> ▶ Contact your specialist dealer.
745	Self-calibration of Rohloff E-14 unsuccessful	<ol style="list-style-type: none"> 1 Use the button to switch to the lowest possible gear before starting self-calibration. 2 Repeat self-calibration. 3 Contact your specialist dealer if the problem persists.
800	Internal ABS error	<ul style="list-style-type: none"> ▶ Contact your specialist dealer.

Table 29: List of on-board computer error messages

Code	Description	Method of resolution
810	Implausible signals from the wheel speed sensor	► Contact your specialist dealer.
820	Error in the line to the front wheel speed sensor	► Contact your specialist dealer.
821 ... 826	Implausible signals from the front wheel speed sensor. It is defective or incorrectly installed; significantly different tyre diameter between the front wheel and rear wheel; extreme riding, such as riding on the rear wheel only	<ol style="list-style-type: none"> 1 Re-start the system. 2 Take a test ride of at least two minutes. The ABS indicator lamp must go out. 3 Contact your specialist dealer if the problem persists.
830	Error in the line to the rear wheel speed sensor	► Contact your specialist dealer.
831 833 ... 835	Implausible signals from the rear wheel speed sensor. Sensor disc may be missing. It is defective or incorrectly installed; significantly different tyre diameter between the front wheel and rear wheel; extreme riding, such as riding on the rear wheel only	<ol style="list-style-type: none"> 1 Re-start the system. 2 Take a test ride of at least two minutes. The ABS indicator lamp must go out. 3 Contact your specialist dealer if the problem persists.
840	Internal ABS error	► Contact your specialist dealer.
850	Internal ABS error	► Contact your specialist dealer.
860, 861	Error in the power supply	<ol style="list-style-type: none"> 1 Re-start the system. 2 Contact your specialist dealer if the problem persists.
870-871, 880. 885	Communication error	<ol style="list-style-type: none"> 1 Re-start the system. 2 Contact your specialist dealer if the problem persists.
889	Internal ABS error	► Contact your specialist dealer.
890	ABS indicator lamp is defective or missing; ABS possibly not functioning	► Contact your specialist dealer.
No screen display	On-board computer internal error	► Re-start the drive system by switching it on and off.

Table 29: List of on-board computer error messages

6.3.2 Rechargeable battery

The battery is protected against deep discharge, overcharging, overheating and short circuits by Electronic Cell Protection (ECP). In the event of a hazard, a protective circuit switches the battery off automatically.

If a fault is detected in the battery, the LEDs flash on the battery level indicator.





Description	Method of resolution
Code: 	<ol style="list-style-type: none"> 1 Disconnect charger from battery. 2 Leave battery to cool down. 3 Contact your specialist dealer if the problem persists.
If the battery is outside its charging temperature range, three LEDs will flash on the battery level indicator.	
Code: 	► Contact your specialist dealer.
If a fault is detected in the battery, two LEDs flash on the battery level indicator.	
Code: 	► Contact your specialist dealer.
No LEDs will flash if the charger is defective and will not charge. One or more LEDs will light up permanently, depending on the battery level.	
Code: 	<ol style="list-style-type: none"> 1 Check all plug connections. 2 Check the contacts on the battery for dirt. Clean the contacts carefully if needed. 3 Contact your specialist dealer if the problem persists.
No LEDs will light up if there is no power.	

Table 30: List of battery error messages

6.4 Instruction and customer service

Your supplying specialist dealer will provide customer service. Contact details can be found on the S pedelec pass for these operating and maintenance instructions. The specialist dealer will explain all the S pedelec functions to you in person, this being when the specialist dealer hands over the S pedelec at the latest. These operating instructions are provided to you with every S pedelec so that you can consult them at a later stage.

Your specialist dealer will also be happy to assist you in the future whether you require maintenance, conversion or repair.

6.5 Adjusting the S pedelec



Crash caused by incorrectly adjusted torques

If a screw is fastened too tightly, it may break. If a screw is not fastened enough, it may loosen. This will cause a crash with injuries.

- ▶ Always observe the indicated torque on the screw or in the *operating and maintenance instructions*.

Only a correctly adjusted S pedelec will guarantee the desired ride comfort and health-promoting activity. Therefore adjust the *saddle*, the *handlebars* and *the suspension* to your body and your preferred riding style before the first ride.

6.5.1 Adjusting the saddle

6.5.1.1 Adjusting the saddle tilt

The saddle tilt must be adjusted to the seat height, the saddle and handlebar position, and the saddle shape to ensure an optimum fit. The seating position can be optimised in this way if needed. First adjust the handlebars, then the saddle.

- ▶ Adjust the saddle tilt to horizontal.

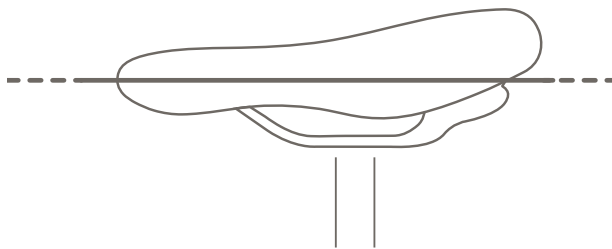


Figure 56: Horizontal saddle tilt

6.5.1.2 Determining the seat height

- ✓ To adjust the seat height safely, either
 - push the bike near to a wall, so that the rider can lean on the wall to support themselves or
 - ask another person to hold the S pedelec.
- 1 Climb onto the S pedelec.
 - 2 Place your heel on the pedal and extend your leg, so that the pedal is at the lowest crank rotation point.
- ⇒ The rider sits straight on the saddle if the seat is at an optimum height. If this is not the case, adjust the length of the seat post to your needs.

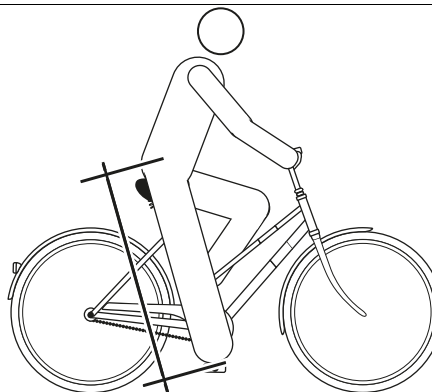


Figure 57: Optimal saddle height

6.5.1.3 Adjusting the seat height with quick release

- 1 Open the quick release on the seat post to change the seat height (1). To do so, push the clamping lever away from the seat post (3).

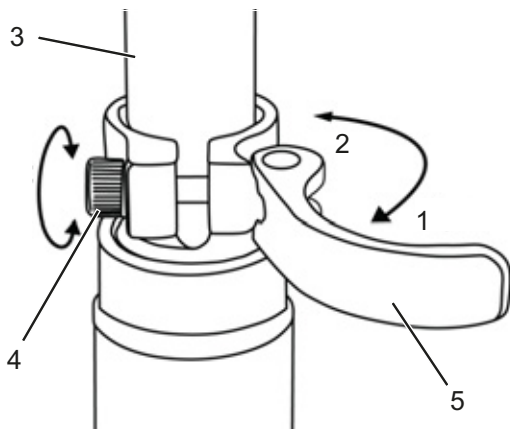


Figure 58: Opening the seat post quick release

- 2 Set the seat post to the required height.



Crash caused by an excessively high seat post setting

A seat post which is set too high will cause the seat post or the frame to break. This will cause a crash with injuries.

- ▶ Do not pull the seat post out of the frame beyond the minimum insertion depth marking.

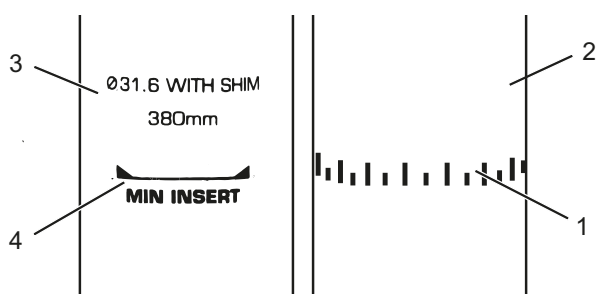


Figure 59: Detailed view of the seat post – examples of the minimum insertion depth marking

- 3 To close it, push the seat post clamping lever as far as it will go into the seat post (2).
- 4 Check the clamping force of quick releases.

6.5.1.4 Adjusting the seat position

The saddle can be shifted on the saddle frame. The right horizontal position ensures an optimal leverage position for legs. This prevents knee pain and painful incorrect pelvis positions. If you have displaced the saddle more than 10 mm, you need to adjust the saddle height again since both settings affect one another.

- ✓ To adjust the seat position safely, either push the S pedelec near to a wall, so that you can lean on the wall to support yourself or ask another person to hold the S pedelec for you.

- 1 Climb onto the S pedelec.
- 2 Place the pedals into the vertical position with your feet.

The rider is sitting in the optimal sitting position if the perpendicular line from the kneecap runs through the pedal axle.

- 3.1 If the perpendicular line crosses behind the pedal, bring the saddle further forward.
- 3.2 If the perpendicular line crosses in front of the pedal, bring the saddle further back.
- 4 Move the saddle within its permitted displacement range only (marked on the saddle stay).

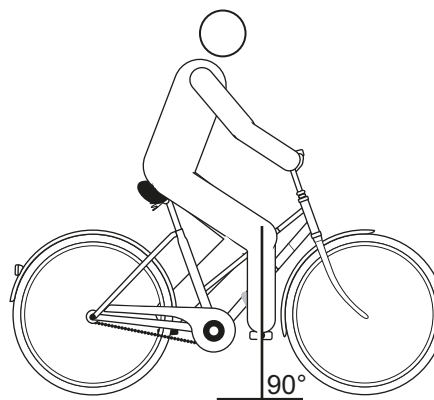


Figure 60: Knee cap perpendicular line

- ✓ The handlebar settings must only be adjusted while the S pedelec is stationary.
- ▶ Unfasten and adjust the designated screw connections, and clamp them with the maximum tightening torque for the clamping screws of the handlebars.

6.5.2 Adjusting the handlebars

CAUTION

Crash caused by incorrectly set clamping force

Excessively high clamping force will damage the quick release and cause it to lose its function. Insufficient clamping force will result in unfavourable transmission of force. This can cause components to break. This will cause a crash with injuries.

- ▶ Never fasten a quick release using a tool (e.g. hammer or pliers).
- ▶ Only use the clamping lever with the specified set clamping force.

6.5.3 Adjusting the stem

CAUTION

Crash caused by loose stem

Incorrectly fastened screws may come loose due to impact. The stem may no longer be firmly fixed in its position as a result. This will cause a crash with injuries.

- ▶ Check the handlebars and the quick release system are firmly in position after the first two hours of riding.

6.5.3.1 Adjusting the height of the handlebars

- 1 Open the stem clamping lever.

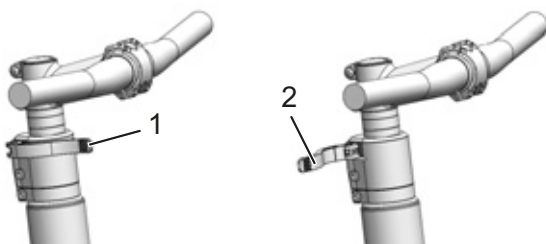


Figure 61: Open (2) and closed (1) stem clamping lever; All Up used as an example

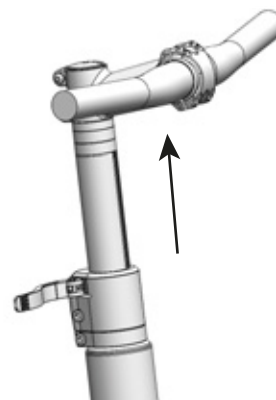


Figure 62: Pulling the locking lever upwards; All Up used as an example

- 2 Pull out the handlebars to the required height. Observe minimum insertion depth.
- 3 Close the stem clamping lever.

6.5.3.2 Adjusting the quick release clamping force

- ▶ If the *handlebar clamping lever* stops before reaching its end position, unscrew the *knurled nut*.
- ▶ Tighten the *knurled nut* on the seat post if the *seat post clamping lever's* clamping force is not effective enough.
- ▶ If you are unable to set the clamping force, the specialist dealer will need to check the quick release.

6.5.4 Adjusting the brake

The brake lever grip distance can be adjusted to ensure that it can be reached more easily. The pressure point can also be adjusted to the rider's preferences.

Contact your specialist dealer if there is no description of your brake below.

6.5.4.1 Retracting the brake linings

Disc brakes require wearing-in time. The braking force increases over time. You therefore need to be aware that the braking force may increase during the wearing-in period. The same happens after brake pads or discs are replaced.

- 1 Accelerate S pedelec to about 25 km/h.
- 2 Brake S pedelec until it comes to a halt.
- 3 Repeat process 30 - 50 times.

The disc brake is retracted and provides optimal braking power.

6.5.4.2 Setting the grip distance on a Magura disc brake lever



WARNING

Crash caused by incorrectly set grip distance

If brake cylinders are set incorrectly or installed wrongly, the braking power may be lost at any time. This may cause a crash with injuries.

- ▶ Ensure that the fully applied brake lever is at a minimum distance of 20 mm from the handlebars (4).

You can adjust the brake lever position (grip distance) to your requirements. Such adjustment does not affect the pressure point or the position of the brake linings.

- ✓ Use a T25 TORX® wrench to turn the setting screw (1) to adjust the grip distance.



Figure 63: Adjusting the grip distance on a Magura disc brake lever

- ▶ Turn the setting screw/twist knob (5) anti-clockwise towards minus (-).
- ⇒ The brake lever moves closer to the handlebar grip.
- ▶ Turn the setting screw clockwise towards plus (+).
- ⇒ The brake lever moves away from the handlebar grip.

6.5.4.3 Setting the pressure point on a Magura brake lever



WARNING

Brake failure due to incorrect setting

If the pressure point is set with brakes where the brake linings and brake disc have reached their wear limit, the brakes may fail and cause an accident with injury.

- ▶ Before you adjust the pressure point, ensure that the brake linings and brake disc have not reached their wear limit.

The pressure point setting is adjusted using the twist knob.

- ▶ Turn the twist knob towards the plus (+) symbol.
- ⇒ The *brake lever* moves closer to the handlebar grip. Re-adjust the grip distance as necessary.
- ⇒ The lever pressure point activates sooner.

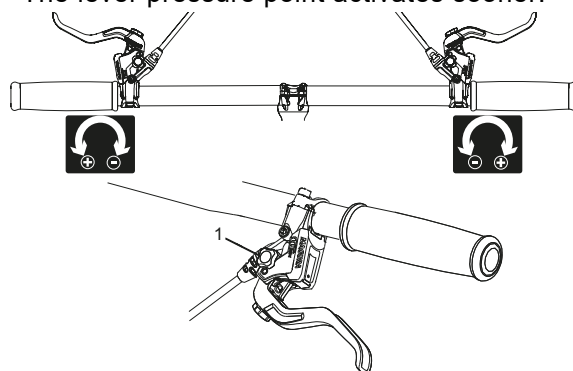


Figure 64: Using the twist knob (1) to adjust the pressure point

6.5.5 Adjusting the damping sag



Crash caused by incorrectly set suspension

If the suspension is set incorrectly, the fork may become damaged, meaning problems may occur when steering. This will cause a crash with injuries.

- ▶ Never ride the S pedelec without air in the air suspension fork.
- ▶ Never use the S pedelec without adjusting the suspension fork to the rider's weight.

Notice

Settings on the chassis change riding performance significantly. You need to get used to the S pedelec and break it in to prevent accidents.

Sag is the percentage of total deflection that is compressed by the rider's weight, including equipment (such as a backpack), their seating position and frame geometry. Sag is not caused by riding.

The sag depends on the rider's position and weight and should be between 15% and 30% of the maximum fork deflection, depending on preferences and on how the S pedelec is used.

Greater sag (20% to 30%)

A greater sag increases sensitivity to bumps, thus producing greater suspension motion. A greater sensitivity to bumps ensures more comfortable ride performance and is used on vehicles with a longer deflection.

Decreased sag (10% to 20%)

A decreased sag reduces sensitivity to bumps, thus producing less suspension motion. A lower sensitivity to bumps ensures a firmer, more efficient ride and is generally used on vehicles with a shorter deflection.

The adjustment shown here represents a basic setting. The rider should change the basic setting to suit the surface and his/her preferences.

It is advisable to make a note of the basic setting. This way, it can be used as the starting point for subsequent, optimised settings and to safeguard against unintentional changes.

6.5.5.1 Adjusting the Suntour fork steel suspension

- 1 You will find the **sag setting wheel** beneath the plastic cover on the crown. Remove the plastic cover.



Figure 65: Sag setting wheel on the suspension fork crown

- ▶ Turn the **sag setting wheel** clockwise to increase the spring pre-tensioning.
 - ▶ Turn the **sag setting wheel** anti-clockwise to decrease the spring pre-tensioning.
- ⇒ You will have made the ideal setting when the shock absorber deflects 3 mm when subject to the rider's weight.
- 2 Replace the plastic cover on the crown after making the setting.

6.5.5.2 Adjusting the Suntour fork air suspension

- ▶ The **air valve** is located beneath the **air valve cap** on the crown. Twist off the **air valve cap**.



Figure 66: Screw caps in different designs

- 1 Attach a high-pressure damper pump to the **air valve**.
- 2 Pump air suspension fork to the required pressure. Observe the levels in the Suntour

filling pressure table. Never exceed the recommended maximum air pressure.

Rider weight	AION, NEX	XCR 32, XCR 34
< 55 kg	35 - 50 psi	40 - 55 psi
55 - 65 kg	50 - 60 psi	55 - 65 psi
65 - 75 g	60 - 70 psi	65 - 75 psi
75 - 85 kg	70 - 85 psi	75 - 85 psi
85 - 95 kg	85 - 100 psi	85 - 95 psi
< 100 kg	+ 105 psi	+ 100 psi
Maximum air pressure	150 psi	180 psi

Table 31: Suntour filling pressure table for air forks

- 3 Detach high-pressure damper pump.
- 4 Measure the distance between the crown and the dust seal. This distance is *total deflection* of the fork.
- 5 Push a temporarily attached cable tie downward against the dust seal.
- 6 Put on your normal cycling clothing, including luggage.
- 7 Sit on the S pedelec in your usual riding position and support yourself against an object, such as a wall or tree.
- 8 Get off the S pedelec without allowing it to deflect.
- 9 Measure distance between the dust seal and the cable tie.
 - ⇒ This measurement is the sag. The recommended value is between 15% (hard) and 30% (soft) of the total fork deflection.
- 10 Increase or reduce air pressure until you have reached the desired sag.
- 11 If the sag is correct, turn the **air valve cap** clockwise.
- 12 If you are unable to achieve the required sag, an internal adjustment may be needed. Contact your specialist dealer.

6.5.6 Adjusting the rebound damping

Rebound damping in the suspension fork and the rear frame damper determines the speed at which the rear frame damper rebounds after being subjected to load. Rebound damping controls the suspension fork extension and rebound speed, which, in turn, has an impact on traction and control.

Rebound damping can be adjusted to the rider's weight, spring stiffness, deflection, the terrain and the rider's preferences.

If the air pressure or spring stiffness increases, the extension and rebound speeds also increase. Rebound damping may need to be increased to achieve an optimal setting if the air pressure or spring stiffness are increased.

The damper rebounds at a controlled speed if the fork is optimally adjusted. The wheel stays in contact with the ground when passing over bumps (blue line).

The fork head, handlebars and rider broadly follow the terrain (green line) when riding over bumps. The suspension motion is predictable and controlled.



Figure 67: Optimum fork riding performance

6.5.6.1 Adjusting the Suntour air suspension fork

Only applies to S pedelecs with this equipment

- 1 Turn the **Suntour rebound screw** in a clockwise direction to the closed position until it stops.

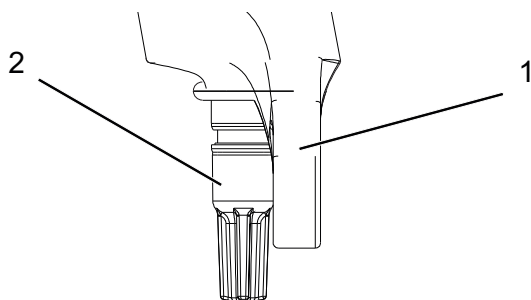


Figure 68: Suntour rebound screw (2), fork (1)

- 2 Turn the **Suntour rebound screw** slightly in an anti-clockwise direction.
- 3 Adjust the rebound in such a way that the fork rebounds quickly, but without bottoming out upward. Bottoming out refers to when the fork

rebounds too quickly and stops moving abruptly once it has reached the full rebound distance. You can hear and feel a slight impact when this happens.

6.5.7 Setting up the smart app

The rider must register online to use all the operating system functions. The rider can use their user ID to perform tasks such as analyse their ride data and routes.

6.5.7.1 Creating a user ID

A user ID can be added on the **Bosch eBike Connect** smartphone app or directly at www.eBike-Connect.com/en-gb/.

- 1 Enter the data required for registration.
- 2 The **Bosch eBike Connect** smartphone app can be downloaded free of charge from the App Store (for Apple iPhones) or from the Google Play Store (for Android devices).

6.5.7.2 Connecting the on-board with the smartphone

- 1 Launch app.
- 2 Select <My eBike> tab.
- 3 Select <Add new eBike device>.
- 4 Add Kiox.
 - ⇒ The app will indicate that you need to press the **riding light button** on the on-board computer for 5 seconds.
- 5 Press **riding light button** for 5 seconds.
 - ⇒ The on-board computer will automatically activate the Bluetooth® low energy connection and switch to pairing mode.
- 6 Follow the instructions on the on-board computer.
 - ⇒ The user data will be synchronised once the pairing process is complete.

6.6 Accessories

Basic rules for attaching accessories

	Child seats	We strongly advise against fitting a child seat for safety reasons
	Trailer	Not permitted
	Additional battery Headlight	Not permitted
	Use of baskets	Not advisable
<input type="checkbox"/>	Non-permanently attached bags on the pannier rack	Permitted
<input type="checkbox"/>	Top cases on the pannier rack	Permitted

The following accessories are recommended:

<i>Description</i>	<i>Article number</i>
Protective cover for electrical components	080-41000 ff
Panniers, system component*	080-40946
Vehicle box	080-40947

Table 32: Accessories

6.7 Check list before each ride

► Check the S pedelec before each ride.

⇒ Take the S pedelec out of service if you spot any anomalies.

<input type="checkbox"/>	Check that the S pedelec is complete.
<input type="checkbox"/>	Check the battery is firmly in place.
<input type="checkbox"/>	Check that the lighting, reflector and brake, for instance, are sufficiently clean.
<input type="checkbox"/>	You must check that the mudguards, the pannier rack and the chain guard are securely installed.
<input type="checkbox"/>	Check that the front and rear wheels run true. This is particularly important if the S pedelec has been transported or secured with a lock.
<input type="checkbox"/>	Check the valves and the tyre pressure. Adjust as necessary before each ride.
<input type="checkbox"/>	If the S pedelec has a hydraulic rim brake, check whether the locking levers are fully closed in their final positions.
<input type="checkbox"/>	Check the front and rear wheel brakes to make sure that they are working properly. To do so, push the brake levers while stationary to check whether resistance is generated in the usual brake lever position. The brake must not lose any brake fluid.
<input type="checkbox"/>	Check that the riding light is working.
<input type="checkbox"/>	Check for unusual noises, vibrations, smells, staining, deformation, cracks, scores, abrasion and wear. This indicates material fatigue.
<input type="checkbox"/>	Inspect suspension system for cracks, dents, bumps, parts or leaking oil. Look at concealed sections on the S pedelec's lower surface.
<input type="checkbox"/>	If quick releases are used check them to make sure that they are fully closed in their end position.
<input type="checkbox"/>	Be alert to any unusual operating sensations when braking, pedalling or steering.

6.8 Raising the kickstand

- ▶ Use your foot to raise the kickstand completely before setting off.

6.9 Using the pannier rack



Crash caused by loaded pannier rack

The S pedelec needs to be handled differently with a loaded *pannier rack*, especially when the rider needs to steer and brake. This can lead to a loss of control. This may cause a crash with injuries.

- ▶ You should practice how to use a loaded *pannier rack* safely before using the S pedelec in public spaces.

Crushing the fingers in the spring flap

The spring flap on the *pannier rack* operates with a high clamping force. There is a risk of crushing the fingers.

- ▶ Never allow the spring flap to snap shut in an uncontrolled manner.
- ▶ Be careful where you position your fingers when closing the spring flap.

Crash caused by unsecured baggage

Loose or unsecured objects on the *pannier rack*, e.g. belts, may become caught in the rear wheel. This may cause a crash with injuries.

Objects which are fastened to the pannier rack may cover the *reflectors* and the *riding light*. Other users may not see the S pedelec on public roads as a result. This may cause a crash with injuries.

- ▶ Secure any objects which are attached to the *pannier rack* sufficiently.
- ▶ Objects fastened to the *pannier rack* must never cover the *reflectors*, the *headlight* or the *rear light*.

- ▶ Distribute the baggage as evenly as possible between the left- and right-hand side.
- ▶ We recommend the use of panniers and baggage baskets.

The maximum load bearing capacity is indicated on the *pannier rack*.

- ▶ Never exceed the maximum permitted *total weight* when packing the pannier.
- ▶ Never exceed the maximum load bearing capacity of the pannier rack.
- ▶ Never modify the pannier rack.

6.10 Using the saddle

- ▶ Do not wear studded jeans as these can damage the saddle covering.
- ▶ Wear dark clothes for your first few rides as new leather saddles can stain clothing.

6.11 Rechargeable battery

6.11.1 Integrated battery

Only applies to S pedelecs with this equipment

6.11.1.1 Removing the integrated battery

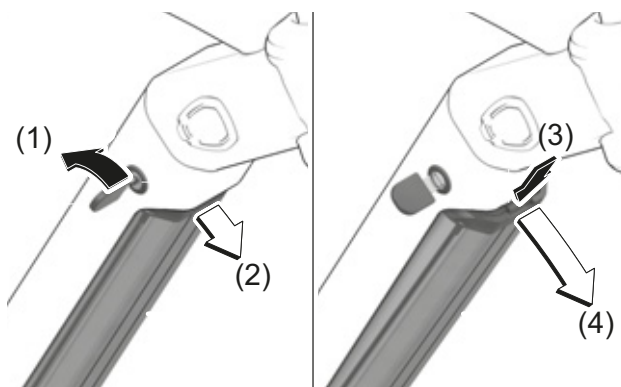


Figure 69: Removing the integrated battery

- 1 Open battery lock with battery key (1).
⇒ The battery is released and falls into the retainer guard (2).
- 2 Hold the battery in your hand from below. Use the other hand to push on the retainer guard from above (3).
⇒ The battery is released and falls into the hand (4).
- 3 Remove the battery from the frame.
- 4 Remove the battery key from the battery lock.

6.11.1.2 Inserting the integrated battery

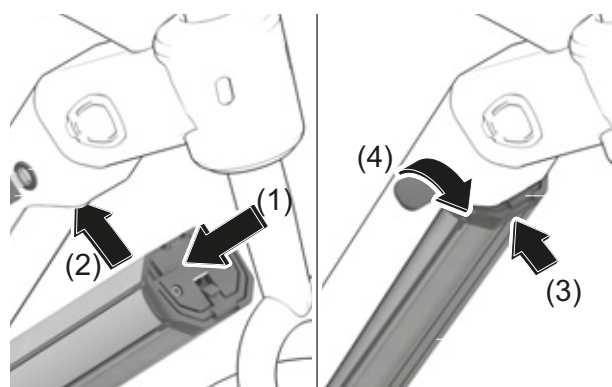


Figure 70: Inserting the integrated battery

- 1 Place the battery into the integrated battery lower mount with the contacts facing the front (1).
- 2 Flip the battery upwards so that the battery is held by the retainer guard (2).
- 3 Push the battery upwards (3).
⇒ There is an audible clicking noise.
- 4 Check battery to ensure it is firmly in place.
- 5 Lock the battery with the battery key; otherwise, the battery may fall out of the mount when you open the see (4).
- 6 Remove the battery key from the battery lock.
- 7 Check the battery to ensure it is firmly in place.

6.11.2 Charging the battery

- ✓ The ambient temperature during the charging process must be within the range from 0 °C to 40 °C.
 - ✓ The battery can remain on the S pedelec or can be removed for charging.
 - ✓ Interrupting the charging process does not damage the battery.
- 1 Remove the cable connection cover if necessary.
 - 2 Connect the mains plug of the charger to a normal domestic, grounded socket.

Connection data	230 V, 50 Hz
------------------------	--------------

Notice

- ▶ Check that mains voltage! The power source voltage must match the voltage indicated on the charger nameplate. Chargers labelled 230 V may be operated at 220 V.
- 3 Connect the charging cable to the battery's charging port.
 - ⇒ The charging process starts automatically.
 - ⇒ The battery level indicator shows the charge level during charging. When the drive system is switched on, the *display screen* shows the charging process.

Notice

If an error occurs during the charging process, a system message is displayed.

- ▶ Remove the charger and battery from operation immediately and follow the instructions.
- ⇒ The charging process is complete when the LEDs on the battery level indicator go out.
 - 4 Once charging is complete, disconnect the battery from the charger.
 - 5 Disconnect the charger from the mains.

6.11.3 Charging the dual battery

Only applies to S pedelecs with this equipment.

Notice

- ▶ Charge the battery via the accessible charging socket only.
- ▶ Never open a sealed charging socket. Charging via a pre-closed charging socket can cause irreparable damage

6.11.3.1 Charging process when two batteries are used

- ▶ If two batteries are attached to an S pedelec, charge both batteries via the non-sealed socket.
- ⇒ The two batteries are charged alternately during charging. Charging switches automatically between the two batteries several times. The charging time is twice as long.
- ⇒ The two batteries are discharged alternately during use.

6.11.3.2 Charging process when one battery is used

- ▶ If only one battery is inserted, only charge the battery with an accessible charging socket.
- ▶ Charge the battery with the sealed charging socket outside its mount only.

6.11.4 Using double battery model with a single battery only

One of the charging sockets is not accessible or is sealed with an end cap on S pedelecs with two batteries

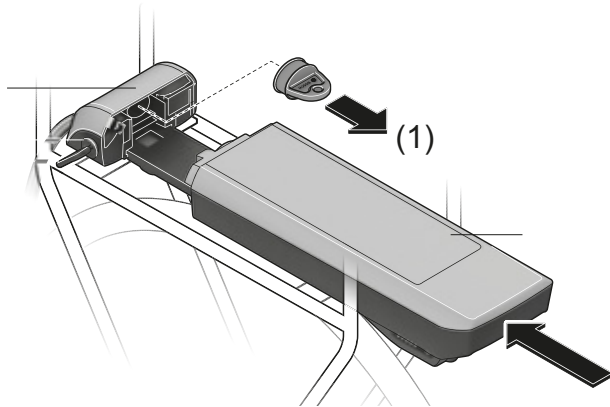


Figure 71: Covering open contacts with cover cap – example: pannier rack battery

- ▶ If you wish to use just one battery on an S pedelec which is designed for two batteries, cover the contacts in the free slot with the supplied cover cap (1); otherwise, there is a risk of a short circuit caused by the open contacts.

6.11.5 Waking the battery

- ✓ The battery switches to sleep mode to protect itself when not used for a longer period. The LEDs on the battery level indicator do not light up.
- ▶ Press the **On-Off button (battery)**.
- ⇒ The battery level indicator shows the charge level.

6.12 Electric drive system

6.12.1 Switching on the electric drive system



Crash caused by lack of readiness for braking

When it is switched on, the drive system can be activated by the application of force on the pedals. There is a risk of a crash if the drive is activated unintentionally and the brake is not reached.

- ▶ Never start the electric drive system and switch it off immediately if the brake cannot be reached safely and reliably.

- ✓ A sufficiently charged battery has been inserted into the S pedelec.
- ✓ The battery is firmly positioned.
- ✓ The battery key has been removed.
- ✓ The on-board computer has been inserted correctly into the mount.

There are three options for switching on the drive system.

- **On-Off button (battery)**
 - ▶ Press the **On-Off button (battery)** briefly.
- **On-Off button (on-board computer)**
 - ▶ Press the **On-Off button (on-board computer)** briefly.
- **Switched-on on-board computer**
 - ▶ If the on-board computer is already switched on when it is inserted into its mount, the electric drive system is switched on automatically.
 - ⇒ After switching on, a speed of 0 KM/H is displayed on the *on-board computer*. If it is not, check whether the *on-board computer* is fully engaged into position.
 - ⇒ If the drive system is switched on, the drive is activated as soon as the pedals are moved with sufficient force (except if in push assist mode or the level of assistance is "OFF").
 - ⇒ The motor power is determined by the level of assistance set on the on-board computer.
 - ⇒ As soon as the system has been activated, **ACTIVE LINE/PERFORMANCE LINE** appears briefly on the *on-board computer*.

6.12.2 Switching off the electric drive system

As soon as you stop pushing the pedals in normal mode or reach a speed of 25 km/h, the drive system switches off the assistance system. The assistance system starts up again if you push the pedals and your speed is less than 25 km/h.

The system switches off automatically ten minutes after the last command. There are three options for switching off the drive system manually.

- **On-Off button (on-board computer)**
 - ▶ Press the **On-Off button (on-board computer)** briefly.
- **On-Off button (battery)**
 - ▶ Press the **On-Off button (battery)**.
- **Removing the on-board computer**
 - ▶ Remove the *on-board computer* from the mount.
 - ⇒ The LEDs on the operating status and battery level indicator go out.

6.13 On-board computer

Notice

- ▶ Never use the on-board computer as a handle. The on-board computer may become irreparably damaged if you use it to lift the S pedelec.

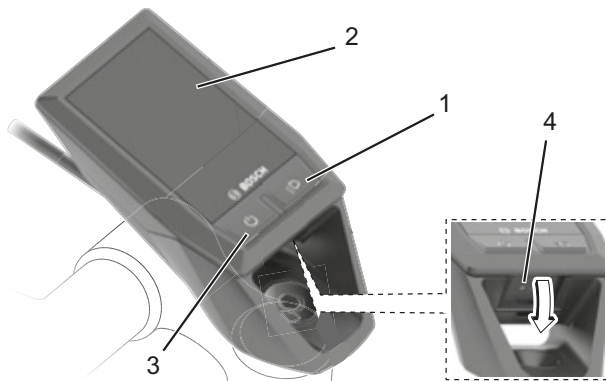


Figure 72: Overview of the on-board computer structure and operating elements




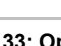
Symbol	Use
1 	Riding light button
2 	Display
3 	On-Off button (on-board computer)
4 	USB port protective flap

Table 33: Operating elements overview

6.13.1 Inserting the on-board computer

- 1 Place the on-board computer lower section into the mount.

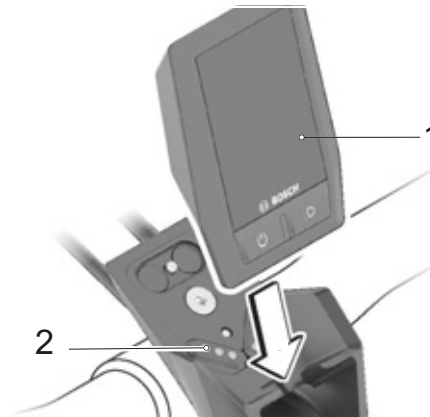


Figure 73: Inserting the on-board computer (1)

- 2 Fold on-board computer gently forward until you can feel it is attached to the magnetic mount.



Figure 74: Folding the on-board computer

- ▶ The on-board computer can be secured with a securing strap (available as an option) to prevent it from falling out of its mount in the event of a crash.

6.13.2 Securing the on-board computer

It is possible to secure the on-board computer so that it cannot be removed.



Figure 75: Position of headset screw

- 1 Undo headset screw (1) until the Kiox mount can be swivelled sideways.
- 2 Insert on-board computer into the mount.
- 3 Fasten the blocking screw (M3, 6 mm long) into its designated thread in the mount from below. Never use a longer screw as this can cause damage to the on-board computer.
- 4 Swivel mount back and fasten the headset screw as per the manufacturer's instructions.

6.13.3 Removing the on-board computer

⇒ The on-board computer can be removed if it is not secured.

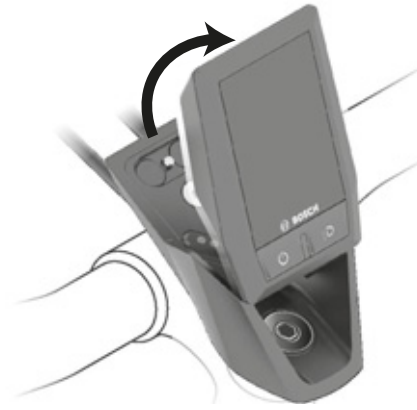


Figure 76: Removing the on-board computer

- 1 Grip the on-board computer by its top edge.
 - 2 Pull on-board computer towards you until on-board computer comes out of the magnetic mount.
- ⇒ The system is switched off by removing the on-board computer. Charging the on-board computer battery

You can recharge the on-board computer battery either on the S pedelec or via the USB port.

6.13.3.1 Charging on the S pedelec

- ✓ The drive system will switch off automatically after ten minutes when not activated if the S pedelec battery is not charging. The on-board computer battery will also stop recharging in such a case.
 - ✓ The on-board computer will only charge when switched on.
- 1 Switch on-board computer on.
 - 2 Place on-board computer in its mount.
- ⇒ The charging process starts automatically.

6.13.3.2 Charging using the USB port

- ✓ The on-board computer will only charge when switched on.
- 1 Switch on-board computer on.
 - 2 Open USB protective flap.
 - 3 Connect a standard USB charger (not included in the standard scope of delivery) to the USB port on the on-board computer (5 V charge voltage; max. 500 mA charging current) using a micro USB cable or to the USB port on a computer.
- ⇒ The charging process starts automatically.
- ⇒ If the on-board computer is switched off during recharging, it cannot be switched on again until the USB cable has been disconnected.

6.13.3.3 Switching on the on-board computer



Figure 77: Position of On-Off button (on-board computer)

- ▶ Press the **On-Off button (on-board computer)** briefly.
- ⇒ The electric drive system is switched on.

6.13.4 Switching off the on-board computer

If the on-board computer is not inserted into its mount, it will switch off automatically after one minute to save energy if no button is pressed.

- ▶ Press the **On-Off button (on-board computer)** briefly.
- ⇒ The electric drive system is switched off.

6.13.5 Lock (premium function)

The lock function can be purchased under the <Shop> tab in the eBike Connect app. Once the lock function is switched on, the e-bike drive unit assistance is deactivated by disconnecting the on-board computer. It can then only be activated using the on-board computer belonging to the e-bike.

You will find detailed instructions in the online operating and maintenance instructions at www.Bosch-eBike.com/en/Kiox-manual.

6.13.6 Using the USB port

Notice

A USB connection is not a waterproof plug connection. Any moisture penetrating through the USB port may trigger a short circuit in the on-board computer.

- ▶ Never connect an external device when cycling in the rain.
- ▶ Always close the protective flap on the USB port when cycling in the rain.

Regularly check the position of the rubber cover on the USB port and adjust it as necessary.

Connected electrical loads may have an adverse effect on the S pedelec range.

The USB port can be used to operate external devices which can be connected using a standard micro A/micro B USB 2.0 cable.

- ✓ The on-board computer and a sufficiently charged battery must be in place on the S pedelec to use the USB port.
- 1 Open protective flap on the USB port on the on-board computer.
 - 2 Connect the external device USB port with the USB port on the on-board computer using a micro A–micro B USB charging cable.
 - 3 Replace the protective flap after using the USB port.

6.13.6.1 Using the riding light



Figure 78: Position of riding light button

- ✓ The drive system needs to be already switched on to turn on the *riding light*.
- ▶ Press the **riding light button**.
- ⇒ The front light and rear light are both switched on (*riding light symbol* is displayed) and switched off (*riding light symbol* is not displayed) at the same time.

6.13.7 Using the push assist system

CAUTION

Injury from pedals or wheels

The pedals and the drive wheel turn when the push assist system is used. There is a risk of injury if the S pedelec wheels are not in contact with the ground when the push assist system is used (e.g. when carrying the S pedelec up stairs or when placing it on a bicycle rack).

- ▶ Only use the push assist mode when pushing the S pedelec.
- ▶ You must steer the S pedelec securely with both hands when using push assist.
- ▶ Allow for enough freedom of movement for the pedals.

The push assist system helps move the S pedelec. The speed is a maximum of 6 km/h in this case.

- ✓ The level of assistance <OFF> must not be selected.
- ✓ The tractive power of the push assist and its speed can be influenced by the selection of gear. We recommend using first gear for cycling uphill to protect the drive.

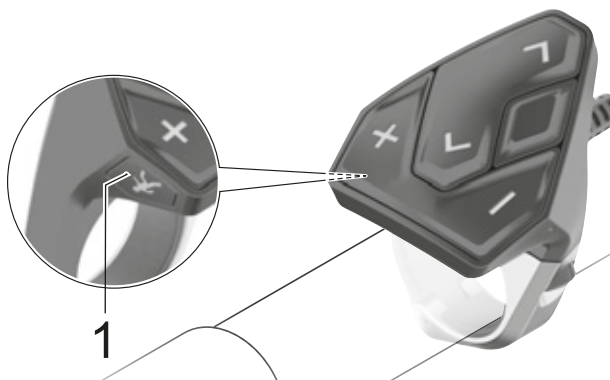


Figure 79: Push assist button position on the operating element

- 1 Press the **push assist button** briefly.
 - ⇒ The push assist is activated.
- 2 Press and hold the **plus button** within three seconds.
 - ⇒ Push assist is activated.
- 3 Release the **plus button** on the operating element to switch off push assist. The push assist system switches off automatically as soon as the S pedelec wheels are blocked or the speed exceeds 6 km/h.

6.13.8 Selecting the level of assistance

- ✓ The operating element is used to set how strongly the electric drive assists the driver when pedalling. You can change the level of assistance at any time, even when you are cycling.

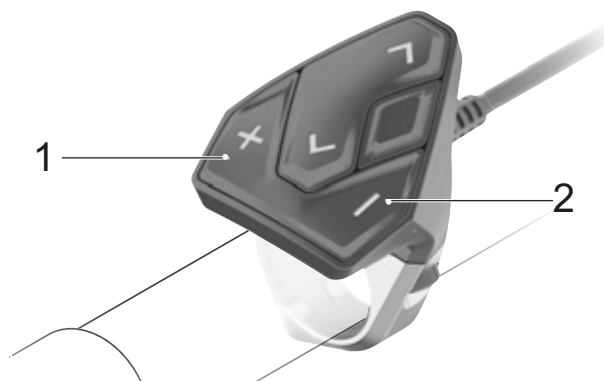


Figure 80: Position of plus and minus buttons

- ▶ Press the **plus button** on the operating element to increase the level of assistance.
 - ▶ Press the **minus button** on the operating element to reduce the level of assistance.
- ⇒ The motor power used appears on the screen. The maximum motor power depends on the selected level for assistance. If the on-board computer is removed from its mount (5), the last displayed level of assistance is saved.

6.13.9 Operating the on-board computer

All user interface screens and texts on the following pages correspond to the latest software release version. The user interface screens and texts may change slightly after an update.

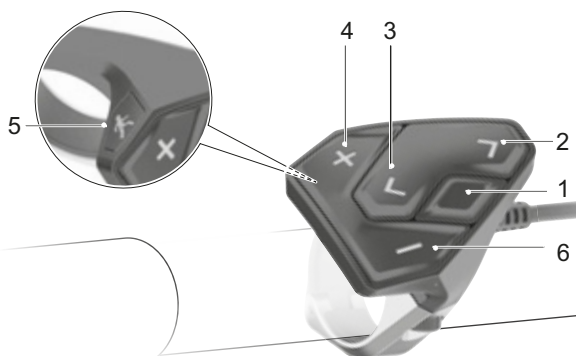


Figure 81: Operating element overview

Symbol	Designation
1	Select button
2 >	Forward button
3 <	Back button
4 +	Plus button
5	Push assist button
6 -	Minus button

Table 34: Overview of the operating element buttons

You can use the **select button** (1) to perform the following functions:

- Open the QUICK MENU while riding
- Open the SETTINGS MENU on the STATUS SCREEN while the S pedelec is stationary
- Confirm values and accept information notifications
- Leave a dialogue.

You can use the **Forward button** (2) and **Back button** (3) to access the different user interfaces with information on riding values even when riding. This means both hands can remain on the handlebars while you are cycling.

You can use the **plus button** (4) and the **minus button** (6) to increase and decrease the levels of assistance. If you are accessing a list (such as the SETTINGS menu), you can use the buttons to scroll up and down the list.

6.13.10 Opening the start screen

- ▶ Insert on-board computer into the mount.
- ⇒ The START SCREEN will be shown.



Figure 82: Open start screen

6.13.11 Opening the screens

- ▶ Press the **forward button** or **back button**.
- ⇒ A new screen is displayed.

6.13.12 Opening the quick menu

- ✓ You cannot access the quick menu from the start screen.

- 1 Open any screen except the start screen.
 - 2 Press the **Select button**.
- ⇒ The QUICK MENU is displayed.

6.13.13 Opening the status screen

- 1 Open the START SCREEN.
 - 2 Press the **Back button**.
- ⇒ The STATUS SCREEN will be shown.

6.13.14 Changing the settings

- ✓ The S pedelec is stationary. You cannot open and adjust the settings while riding.
- ✓ The on-board computer is inserted and displaying the start screen.

- 1 Open the STATUS SCREEN.
 - 2 Select SETTINGS.
 - 3 Press the **Select button**.
- ⇒ The settings menu is displayed.

Settings menu structure.

Level 1	Ebene2
Registration	
My eBike	
	→ <Reset>
	→ <Auto reset [Current value]>
	→ <Range>
	→ <eShift>
	→ <Wheel circumference>
	→ <Next Service: [DD. Mon. YYYY] or after [xxxxx] [km]>
	→ <Components>
Bluetooth®	
My profile	
Sys settings	
	→ <Brightness>
	→ <Time>
	→ <Date [DD.Mon.YYYY]>
	→ <Time zone>
	→ <24h form (24h time format)>
	→ <Brgh backg. (Bright background)>
	→ <Language>
	→ <Factory reset>
Information	
	→ <Intro to Kiox>
	→ <Registration>°
	→ <FAQs>
	→ <Intro to Kiox>
	→ <Certificates>
	→ <Licence info>
	→ <Contact us>

- ▶ Select the desired setting using the **Plus** and **Minus** buttons.
- ▶ Press the **Select button** to confirm.
- ▶ Use the **Back button** to return to the previous menu.
- ▶ Follow the instructions on the on-board computer. You will find a detailed description of the individual parameters in the online operating instructions at www.Bosch-eBike.com/en/Kiox-manual.

6.13.14.1 Registration with eBike Connect

- 1 Open <Registration> menu item.
- 2 Follow the instructions on the on-board computer.

6.13.14.2 Resetting daily mileage or average values manually

- 1 Open <My eBike> menu item.
 - 2 Open <Reset> sub-menu item.
 - 3 Follow the instructions on the on-board computer.
- ⇒ Daily mileage or average values are reset to zero.

6.13.14.3 Resetting daily mileage or average values automatically

- 1 Open <My eBike> menu item.
 - 2 Open <Auto reset [Current value]> sub-menu item.
 - 3 Select <Off>, <Once a day> or <After 4h>.
- ⇒ Daily mileage or average values are reset to zero after the selected point in time.

6.13.14.4 Resetting the range

- 1 Open <My eBike> menu item.
 - 2 Open <Range> sub-menu item.
 - 3 Follow the instructions on the on-board computer.
- ⇒ The range is reset to the default setting.

6.13.14.5 Configuring eShift

Only applies to S pedelecs with this equipment

- 1 Open <My eBike> menu item.
 - 2 Open <eShift> sub-menu item.
 - 3 Follow the instructions on the on-board computer.
- ⇒ eShift is configured.

6.13.14.6 Switching on Bluetooth®

- 1 Open <Bluetooth®> menu item.
 - 2 Follow the instructions on the on-board computer.
- ⇒ Bluetooth® is switched on.

6.13.14.7 Switching off Bluetooth®

- 1 Open <Bluetooth®> menu item.
 - 2 Follow the instructions on the on-board computer.
- ⇒ Bluetooth® is switched off.

6.13.14.8 Adding new device to Bluetooth®

- 1 Open <Bluetooth®> menu item.
 - 2 Follow the instructions on the on-board computer.
- ⇒ A new device is added.

6.13.14.9 Removing device from Bluetooth®

- 1 Open <Bluetooth®> menu item.
 - 2 Follow the instructions on the on-board computer.
- ⇒ The device is removed.

6.13.14.10 Setting the brightness

- 1 Open <Sys settings> menu item.
 - 2 Open <Brightness> sub-menu item.
 - 3 Follow the instructions on the on-board computer.
- ⇒ The brightness has been set.

6.13.14.11 Adjusting the time

- 1 Open <Sys settings> menu item.
 - 2 Open <Time> sub-menu item.
 - 3 Follow the instructions on the on-board computer.
- ⇒ The time has been set.

6.13.14.12 Setting the date

- 1 Open <Sys settings> menu item.
 - 2 Open <Date [DD.Mon.YYYY]>.
 - 3 Follow the instructions on the on-board computer.
- ⇒ The date is set.

6.13.14.13 Adjusting the time

- 1 Open <Sys settings> menu item.
 - 2 Open <Time zone> sub-menu item.
 - 3 Follow the instructions on the on-board computer.
- ⇒ The time zone is selected.

6.13.14.14 Setting the clock format

- 1 Open <Sys settings> menu item.
 - 2 Open <24h form (24h time format)> sub-menu item.
 - 3 Follow the instructions on the on-board computer.
- ⇒ Clock displayed in selected 12-hour or 24-hour format.

6.13.14.15 Selecting the backlight

- 1 Open <Sys settings> menu item.
 - 2 Open <Brgh backg. (Bright background)> sub-menu item.
 - 3 Follow the instructions on the on-board computer.
- ⇒ The selected black or white on-board computer design is displayed.

6.13.14.16 Selecting the unit of speed

- 1 Open <Sys settings> menu item.
 - 2 Open <Imp. units (Imperial units)> sub-menu item.
 - 3 Follow the instructions on the on-board computer.
- ⇒ The unit of speed is displayed in the selected km/h or mph format.

6.13.14.17 Select the language

- 1 Open <Sys settings> menu item.
 - 2 Open <Language.> sub-menu item.
 - 3 Follow the instructions on the on-board computer.
- ⇒ The language has been set.

6.13.14.18 Resetting to factory settings

- 1 Open <Sys settings> menu item.
 - 2 Open <Factory reset> sub-menu item.
 - 3 Follow the instructions on the on-board computer.
- ⇒ All settings are reset to the factory settings. All user data have been deleted.

6.14 Brake

WARNING

If the brakes are applied continuously for a long time (e.g. while riding downhill for a long time), the fluid in the brake system may heat up. This may create a vapour bubble. This will cause air bubbles or any water contained in the brake system to expand. This may suddenly make the lever travel wider. This may cause a crash with serious injuries.

- ▶ Release the brake regularly when riding downhill for a longer period of time.
- ▶ Never use the S pedelec if the brakes don't work properly or you can feel no resistance when you grip the brake handle. Consult a specialist dealer.

The drive force of the motor is shut off during the ride as soon as the rider no longer pedals. The drive system does not switch off when braking.

Correct handling of the brake helps control the S pedelec and prevents crashes.

- ▶ In order to achieve optimum braking results, do not pedal while braking.
- ▶ Shift your body weight backwards and down as far as possible.
- ▶ Practice braking and emergency braking before using the S pedelec in public spaces.

6.14.1 Using the brake lever

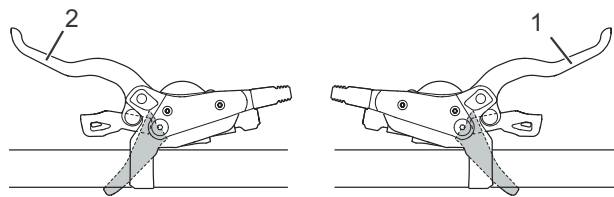


Figure 83: Front (2) and rear (1) brake lever – Shimano brake used as an example

- ▶ Pull the left-hand *brake lever* to apply the *rear wheel brake*.
- ▶ Pull the right-hand *brake lever* to apply the *front wheel brake*.

6.15 Suspension and damping

6.15.1 Suspension fork compression adjuster

The compression adjuster makes it possible to make quick adjustments to the fork's suspension behaviour to adapt to changes in terrain. It is intended for adjustments made during the ride. The compression adjuster controls the compression lifting speed or the rate at which the fork deflects slow impacts. The compression adjuster influences the absorption of bumps and its efficiency when the rider's weight

shifts or during transitions, cornering, uniform impacts caused by bumps and when braking.

When optimally adjusted, the fork counteracts deflection, stays higher in its deflection range and helps the rider to maintain speed while riding on hilly parts of terrain. The fork deflects quickly and unhindered when the bike hits a bump and absorbs the bump. Traction is retained (blue line).



Figure 84: Optimum performance on hilly terrain

Compression adjuster set to hard

- Causes the suspension fork to move higher within the deflection range. This makes it easier for the rider to improve efficiency and maintain momentum over uniformly hilly terrain and around bends.
- Deflection may feel somewhat harder on more rugged terrain.

Compression adjuster set to soft

- Causes the fork to deflect quickly and easily. This may make it easier for the rider to maintain speed and momentum when riding over more rugged terrain.
- Deflection may feel somewhat less hard on more rugged terrain.



Figure 85: Optimum performance over bumps

When optimally adjusted, the fork deflects quickly and unhindered when the bike hits bumps and absorbs a bump. Traction is retained (blue line).

The fork responds quickly to the bump. The headset and handlebars rise slightly when absorbing a bump (green line).

Threshold

The damping threshold prevents deflection until a medium impact or downward force occurs. Threshold mode increases drive efficiency over level terrain.

The threshold setting can be used to improve pedalling efficiency over flat, hilly, level or slightly rugged terrain. In threshold mode, higher S pedelec speeds lead to greater impact force when a S pedelec hits a bump, causing the fork to deflect, and the bump is absorbed.

The fork threshold

- When the compression adjuster is in the open position (against the stop in an anti-clockwise direction), the suspension fork deflects quickly and unhindered through its entire deflection range when an impact or downward force occurs.
- When the compression adjuster is in the threshold position, the suspension fork counteracts deflection until a medium impact or downward force occurs.
- When the compression adjuster is in the blocked position (against the stop in a clockwise direction), the suspension fork counteracts deflection throughout its deflection range until a strong impact or downward force occurs.

The rear frame damper threshold

- When the compression adjuster is in the open position, the rear frame damper deflects quickly and unhindered through its entire deflection range.
- When the compression adjuster is in the threshold position, the rear frame damper counteracts deflection until a medium impact or downward force occurs.
- When the compression adjuster is in the blocked position, the rear frame damper counteracts deflection throughout its deflection range until a strong impact or downward force occurs.

6.15.1.1 Adjusting the Suntour compression adjuster

Only applies to S pedelecs with this equipment

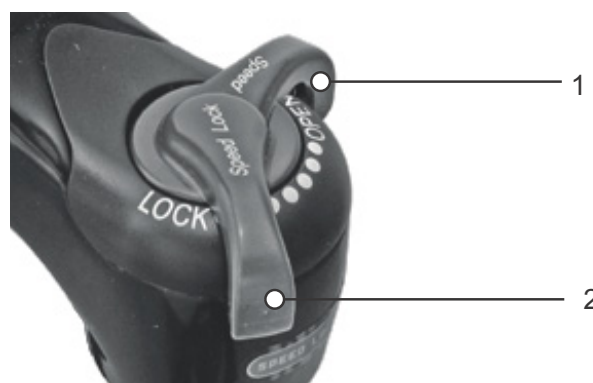


Figure 86: Suntour compression adjuster in open (1) and closed (2) position

- ▶ The compression adjuster is open in the OPEN position.
- ▶ The compression adjuster is blocked in the LOCK position.
- ▶ The positions between OPEN and LOCK provide fine adjustment of compression damping. We recommend setting the compression adjuster to the OPEN position first.

6.16 Gear shift

The selection of the appropriate gear is a prerequisite for a physically comfortable ride and making sure that the electric drive system functions properly. The ideal pedalling frequency is between 70 and 80 revolutions per minute.

- ▶ Stop pedalling briefly when changing gears. This makes it easier to switch gears and reduces wear on the drivetrain.

CAUTION

Crash caused by incorrect use

If the rider applies too much pressure on the pedals during a gear change and activates the shifter or changes several gears at a time, their feet may slip from the pedals. This may cause a crash or flip-over with injuries.

Switching down several gears to a low gear may cause the twist grip outer sleeve to suddenly come off. This will not have an adverse effect on the twist grip's correct functioning since the outer guide returns to its original position after the gear change is complete.

- ▶ Apply little pressure on the pedals while changing gears.
- ▶ Never change more than one gear at a time.

Notice

The interior hub is not completely waterproof. If water gets into the hub, it may rust and the gear switch function may no longer function as a result.

- ▶ Never use the S pedelec in places where water may get into the hub.

In rare cases, noises may be heard from the rear derailleur in the hub interior after a gear change. This is normal when gears are changed.

- ▶ Never detach the hub yourself. Contact your specialist dealer.

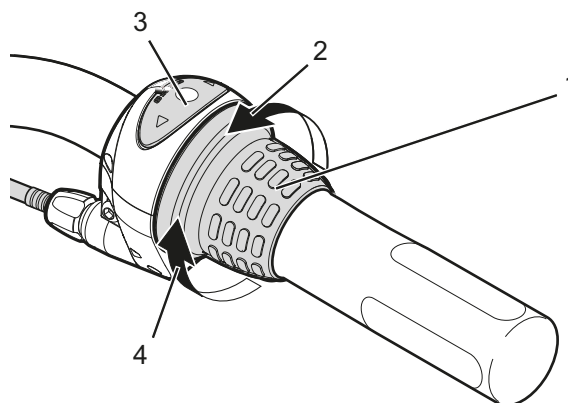


Figure 87: Example: use of Shimano Nexus gear shift

- ▶ Turn the twist grip (1) backwards to switch up a gear (4).
- ▶ Turn the twist grip (1) forwards to switch down a gear (2).
- ⇒ The gear shift switches the gear.
- ⇒ The screen display (3) shows the changed gear.

6.17 Parking the S pedelec

Notice

Heat or direct sunlight can cause the *tyre pressure* to increase above the permitted maximum pressure. This can destroy the *tyres*.

- ▶ Never park the S pedelec in the sun.
- ▶ On hot days, regularly check the *tyre pressure* and adjust it as necessary.

Moisture penetrating at low temperatures may impair individual functions due to the open structural design.

- ▶ Keep the S pedelec dry and free from frost at all times.
- ▶ If the S pedelec is to be used at temperatures below 3 °C, the specialist dealer must carry out an inspection and prepare it for winter use.

The S pedelec's force of weight may cause the kickstand to sink into soft ground, possibly causing the S pedelec to topple over as a result.

- ▶ Park the S pedelec on firm, level ground only.

-
- 1 Switch off the drive system (see Section 6.12.2).
 - 2 After getting off, use your foot to lower the kickstand completely before parking. Ensure that it is stable.
 - 3 Park the S pedelec carefully and check that it is stable.
 - 4 Cleaning the suspension fork and pedals (see Section 7.1.)
 - 5 Protect the saddle with a saddle cover if you park the S pedelec outside.
 - 6 Secure the S pedelec with a bicycle lock.
 - 7 Remove the battery (see Section 6.11.1.1) and, where necessary, your mobile (see Section 6.11) to ensure protection against theft.

7 Cleaning and servicing

Cleaning check list

<input type="checkbox"/>	Clean the pedals	after each ride
<input type="checkbox"/>	Suspension fork	after each ride
<input type="checkbox"/>	Cleaning the battery	once a month
<input type="checkbox"/>	Chain	every 250–300 km
<input type="checkbox"/>	Basic cleaning and preservation of all components	at least every six months
<input type="checkbox"/>	Clean the charger	at least every six months

Maintenance check list

<input type="checkbox"/>	Check USB rubber cover position	before each ride
<input type="checkbox"/>	Check for tyre wear	once a week
<input type="checkbox"/>	Check for rim wear	once a week
<input type="checkbox"/>	Check tyre pressure	once a week
<input type="checkbox"/>	Check brakes for wear	once a month
<input type="checkbox"/>	Check electrical cables and Bowden cables for damage and ensure they are fully functional	once a month
<input type="checkbox"/>	Check chain tension	once a month
<input type="checkbox"/>	Check tension of the spokes	every three months
<input type="checkbox"/>	Check the gear shift setting	every three months
<input type="checkbox"/>	Check suspension fork and, if necessary, rear frame damper for wear and ensure fully functional	every three months
<input type="checkbox"/>	Check for wear on brake discs	at least every six months

WARNING

Crash caused by brake failure

Oil or lubricant on the brake disc in a disc brake or on the rim of a rim brake can cause the brake to fail completely. This may cause a crash with serious injuries.

- ▶ Never allow oil or lubricant to come into contact with the brake disc or brake linings or on the rim of a rim brake.
- ▶ If the brake linings have come into contact with oil or lubricant, contact a dealer or a workshop to have the components cleaned or replaced.
- ▶ Apply the brakes a few times to test them after cleaning, servicing or repair

The brake system is not designed for use on an S pedelec which is placed on its side or turned upside down. The brake may not function correctly as a result. This can cause a crash, which may result in injuries.

- ▶ If the S pedelec is placed on its side or turned upside down, apply the brakes a couple of times before setting off to ensure that they work as normal

CAUTION

Crash and falling caused by unintentional activation

There is a risk of injury if the drive system is activated unintentionally.

Remove the battery before cleaning.

Notice

Water may enter the inside of the bearings if you use a steam jet. This dilutes the lubricant inside, the friction increases and, as a result, the bearings are permanently damaged in the long term.

- ▶ Never clean the S pedelec with a pressure washer.

Greased parts, such as the seat post, the handlebars or the stem, may no longer be safely and reliably clamped.

- ▶ Never apply grease or oil to clamping sections.

The brake system is not designed for use on an S pedelec which is placed on its side or turned upside down. The brake may not function correctly as a result. This can cause a crash, which may result in injuries.

If the S pedelec is placed on its side or turned upside down, apply the brakes a couple of times before setting off to ensure that they work as normal

Servicing measures must be performed regularly. Contact your specialist dealer if you are unsure.

7.1 Cleaning after each ride

Required tools and cleaning agents:

- Cloth
- Air pump
- Brush
- Water
- Dish-washing liquid
- Bucket

7.1.1 Cleaning the suspension fork

- ▶ Remove dirt and deposits from the stanchions and deflector seals with a damp cloth.
- ▶ Check the stanchions for dents, scratches, staining or leaking oil.
- ▶ Lubricate the dust seals and stanchions.

7.1.2 Cleaning the pedals

- ▶ Clean with a brush and soapy water after riding through dirt or rain.
- ⇒ Service the pedals after cleaning.

7.2 Basic cleaning

Required tools and cleaning agents:

- Cloths
- Sponge
- Air pump
- Brush
- Toothbrush
- Paintbrush
- Watering can
- Bucket
- Water
- Dish-washing liquid
- Degreaser
- Lubricant
- Brake cleaner or spirit

- ✓ Remove battery and on-board computer before thorough cleaning.

7.2.1 Cleaning the frame

- 1 Soak the entire frame with dish-washing detergent if the dirt is thick and ingrained.
- 2 After leaving it to soak for a short time, remove the dirt and mud with a sponge, brush and toothbrushes.
- 3 Use a watering can or your hand to rinse the frame.
- 4 Service the frame after cleaning.

7.2.2 Cleaning the stem

- 1 Clean stem with a cloth and soapy water.
- 2 Service the stem after cleaning.

7.2.3 Cleaning the wheel



WARNING

Crash caused by braking hard on rims

A rim can break and block the wheel if you brake hard. This may cause a crash with serious injuries.

Check rim *wear* on a regular basis.

- 1 Check the tyres, rims, spokes and spoke nipples for any damage while cleaning the wheel.
- 2 Use a sponge and a brush to clean the hub and spokes from the inside to the outside.
- 3 Clean the rim with a sponge.

7.2.4 Cleaning the drive elements

- 1 Spray the cassette, the chain wheels and the front derailleur with a degreasing agent.
- 2 Clean coarse dirt with a brush after soaking for a short time.
- 3 Wash down all parts with dish-washing detergent and a toothbrush.
- 4 Service the drive elements after cleaning.

7.2.5 Cleaning the chain

Notice

- ▶ Never use aggressive (acid-based) cleaners, rust removers or degreasers when cleaning the chain.
- ▶ Never use chain cleaning devices or chain cleaning baths.

- 1 Slightly dampen a brush with dish-washing liquid. Brush both sides of the chain.
- 2 Dampen a cloth with soapy water. Place the cloth on the chain.
- 3 Hold and apply slight pressure while slowly turning the rear wheel, so the chain passes through the cloth.
- 4 If the chain is still dirty afterwards, clean with lubricant.
- 5 Service the chain after cleaning.

7.2.6 Cleaning the battery



CAUTION

Risk of fire and explosion due to penetration by water

The battery is only protected from simple spray water. Penetration by water can cause a short circuit. The battery may self-ignite and explode.

- ▶ Never clean the battery with a pressure washer, water jet or compressed air.
- ▶ Keep contacts dry and clean.
- ▶ Never immerse the battery in water.
- ▶ Never use cleaning agents.
- ▶ Remove the battery from the S pedelec before cleaning.

Notice

- ▶ Never clean the battery with cleaning agents or with solvents, such as oil, thinners, alcohol or corrosion protection.
- ▶ Clean the battery electrical connections with a dry cloth or paintbrush only.
- ▶ Wipe off the decorative sides with a damp cloth.

7.2.7 Cleaning the on-board computer

Notice

If water enters the on-board computer, it will be permanently damaged.

- ▶ Never immerse the on-board computer in water.
- ▶ Never clean with a pressure washer, water jet or compressed air.
- ▶ Never use cleaning agents.
- ▶ Remove the on-board computer from the S pedelec before cleaning.
- ▶ Carefully clean the on-board computer with a soft, damp cloth.

7.2.8 Cleaning the motor

Notice

If water penetrates the motor, it will be permanently damaged.

- ▶ Never immerse the motor in water.
- ▶ Never clean with a pressure washer, water jet or compressed air.
- ▶ Never use cleaning agents.
- ▶ Carefully clean the motor with a soft, damp cloth.

7.2.9 Cleaning the brake



WARNING

Brake failure due to water penetration

The brake seals are unable to withstand high pressures. Damaged brakes can fail and cause an accident with injury.

- ▶ Never clean the S pedelec with a pressure washer or compressed air.
- ▶ Take great care when using a hosepipe. Never point the water jet directly at the seal section.
- ▶ Clean brake and brake discs with a brush, water and dish-washing detergent.
- ▶ Clean brake discs thoroughly with brake cleaner or spirit.

7.2.10 Cleaning the saddle

Notice

- ▶ Never clean with a pressure washer.
- ▶ Never clean with solvent or chemical agents.
- ▶ Clean the saddle with lukewarm water and a cloth dampened with natural soap.

7.3 Servicing

Required tools and cleaning agents:

- Cloths
- Toothbrushes
- Dish-washing liquid
- Care oil for frames
- Silicone or Teflon oil
- Acid-free lubricating grease
- Fork oil
- Chain oil
- Degreaser
- Spray oil
- Teflon spray

7.3.1 Servicing the frame

- ▶ Dry the frame.
- ▶ Spray with care oil.
- ▶ Clean off the care oil again after a short time.

7.3.2 Servicing the stem

- ▶ Apply silicone or Teflon oil to the stem shaft tube and the quick release lever pivot point.
- ▶ If you have speedlifter Twist, also apply oil to the unlocking bolt using the groove in the speedlifter body.
- ▶ Apply a little acid-free lubricant grease between the stem quick release lever and the sliding piece to reduce the quick release lever operating force.

7.3.3 Maintaining the suspension fork

- ▶ Treat the dust seals with fork oil.

7.3.4 Servicing the drive elements

- ▶ Treat front and rear derailleur articulated shafts and jockey wheels with Teflon spray.

7.3.5 Servicing the pedals

- ▶ Treat pedals with spray oil.

7.3.6 Servicing the chain

- ▶ Lubricate the chain thoroughly with chain oil.

7.4 Maintenance

The following maintenance measures must be performed on a regular basis.

7.4.1 Wheel



Crash caused by braking hard on rims

A rim can break and block the wheel if you brake hard. This may cause a crash with serious injuries.

- ▶ Check rim *wear* on a regular basis.

1 Check the *tyres* for wear.

2 Check the *tyre pressure*.

3 Check the *rims* for wear.

⇒ The rims of a rim brake with invisible wear indicator are worn as soon as the wear indicator becomes visible in the area of the rim joint.

⇒ The rims with visible wear indicator are worn as soon as the black, all-round groove on the pad friction surface is no longer visible. We recommend that you also replace the *rims* with every second brake lining replacement.

4 Check the tension of the spokes.

7.4.1.1 Checking the tyres

- ▶ Check the tyre wear. The tyre is worn if the anti-puncture protection or the carcass cords are visible.

⇒ A specialist dealer will need to change the tyre if it is worn.

7.4.1.2 Checking the rims

- ▶ Check the *rims* for wear. The rims are worn as soon as the black, all-round groove on the pad friction surface becomes invisible.

⇒ Contact your specialist dealer to have the rims replaced. We recommend that you also replace the *rims* at the same time as every second brake lining replacement.

7.4.1.3 Checking and adjusting the tyre pressure

Notice

If the tyre pressure is too low in the tyre, the tyre does not achieve its load bearing capacity. The tyre is not stable and may come off the rim.

If the tyre pressure is too high, the tyre may burst.

- ▶ Check the tyre pressure against the specifications.
- ▶ *Adjust the tyre pressure as necessary.*

Dunlop valve

Only applies to S pedelecs with this equipment



The tyre pressure cannot be measured on the simple Dunlop valve. The tyre pressure is therefore measured in the filling hose when pumping slowly with the bicycle pump.

It is recommendable to use a bicycle pump with a pressure gauge. The operating instructions for the bicycle pump must be adhered to.

- 1 Unscrew and remove the valve cap.
- 2 Connect the bicycle pump.
- 3 Pump up the tyre slowly and pay attention to the tyre pressure in the process.
- 4 Correct the tyre pressure according to specifications in the S pedelec pass.
- 5 If the tyre pressure is too high, unfasten the union nut, let air out and re-tighten the union nut.
- 6 Remove the bicycle pump.
- 7 Screw the valve cap tight.
- 8 Screw the rim nut gently against the rim with the tips of your fingers.

Presta valve

Only applies to S pedelecs with this equipment



- ✓ It is recommendable to use a bicycle pump with a pressure gauge. The operating instructions for the bicycle pump must be adhered to.

- 1 Unscrew and remove the valve cap.
- 2 Open the knurled nut around four turns.
- 3 Carefully apply the bicycle pump so that the valve

insert is not bent.

- 4 Pump up the tyre slowly and pay attention to the tyre pressure in the process.
- 5 Correct the tyre pressure as per the specifications on the tyre.
- 6 Remove the bicycle pump.
- 7 Tighten the knurled nut with your fingers.
- 8 Screw the valve cap tight.
- 9 Screw the rim nut gently against the rim with the tips of your fingers.

7.4.1.4 Checking and adjusting the tyre pressure – Schrader valve

Only applies to S pedelecs with this equipment



- ✓ It is recommendable to use a bicycle pump with a pressure gauge. The operating instructions for the bicycle pump must be adhered to.

- 1 Unscrew and remove the valve cap.

- 2 Attach the bicycle pump.

- 3 Pump up the tyre slowly and pay attention to the tyre pressure in the process.

⇒ The tyre pressure has been adjusted as per the specifications.

- 4 Remove the bicycle pump.
- 5 Screw the valve cap tight.
- 6 Screw the rim nut (1) gently against the rim with the tips of your fingers.

7.4.2 Brake system



Crash caused by brake failure

Worn brake discs and brake linings, as well as a lack of hydraulic fluid in the brake cable, reduce the braking power. This may cause a crash with injuries.

- ▶ Check the brake disc, brake linings and hydraulic brake system on a regular basis. Contact your specialist dealer if any of these components have become worn.

The maintenance interval for the brake depends on the weather conditions and how frequent the S pedelec is used. If the S pedelec is used under extreme conditions such as rain, dirt or high mileage, maintenance must be performed more frequently.

7.4.3 Checking the brake linings for wear

Check brake linings after brake has been fully applied 1,000 times.

- 1 Check that the brake linings are no less than 1.8 mm wide at any point and there are no less than 2.5 mm between the brake lining and supporting plate.
 - 2 Push brake lever and hold. In doing so, check whether the transport safety wear gauge can fit between the brake lining supporting plates.
- ⇒ The brake linings have not reached their wear limit. Contact your specialist dealer if they are worn.

7.4.4 Checking the pressure point

- ▶ Pull brake lever and hold repeatedly several times.
- ⇒ If you are unable to clearly detect the pressure point and it changes, the brake needs to be bled. Contact your specialist dealer.

7.4.5 Checking the brake discs for wear

- ▶ Check that the brake disc measures no less than 1.8 mm in depth at any point.
- ⇒ The brake discs have not reached their wear limit yet; brake discs need to be replaced if they have. Contact your specialist dealer.

7.4.6 Checking the electrical cables and brake cables

- ▶ Check all visible electrical cables and Bowden cables for damage. If the sheathing is compressed, a brake is defective or a light does not work, the S pedelec must be removed from service until the lines and cables have been repaired. Contact your specialist dealer.

7.4.7 Checking the gear shift

- ▶ Check the gear shift and the *shifter* and *gear twist grip* settings and adjust as necessary.

7.4.8 Checking the stem

- ▶ The stem and quick release system must be inspected at regular intervals. The specialist dealer should adjust them if necessary.
- ▶ If the hexagon socket head screw is also loosened, the headset backlash also needs to be adjusted. Medium-strength thread locker, such as Loctite blue, then needs to be applied to the loosened screws and the screws tightened as per specifications.
- ▶ Contact your specialist dealer if there is any wear or signs of corrosion.

7.4.9 Checking the USB port

- ▶ Regularly check the position of the *cover on the USB port* and adjust it as necessary.

7.4.10 Checking the chain tension

Notice

Excessive chain tension increases wear. If the chain tension is too low, there is a risk that the *chain* will slip off the *chain wheels*.

- ▶ Check the chain tension once a month.

- 1 Check the chain tension in three or four positions, turning the crank a full revolution.

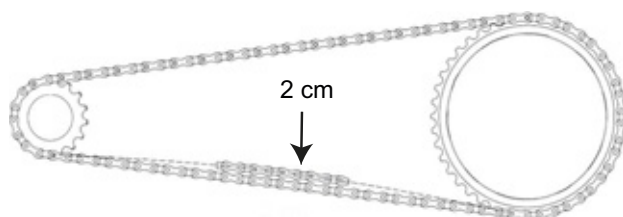


Figure 88: Checking the chain tension

- 2 If the *chain* can be pushed more than 2 cm, the *chain* will need to be re-tensioned by your specialist dealer.
 - 3 If the *chain* can only be pushed up and down less than 1 cm, the *chain* needs to be slackened as required.
- ⇒ The ideal chain tension has been achieved if the *chain* can be pushed a maximum of 2 cm in the middle between the pinion and the toothed wheel. The crank must also turn without resistance.
- 4 If a hub gear is fitted, the rear wheel must be pushed backwards and forwards to tighten the chain. Contact your specialist dealer.
 - 5 Check the handlebar grip is firmly in position.

7.4.11 Adjusting gear shift

If the gears cannot be selected smoothly, the play in the shift cable will need to be adjusted.

- 1 Carefully pull the *setting screw* away from the shifter housing, turning it as you do so.

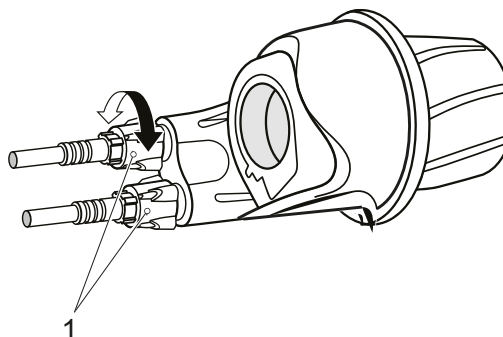


Figure 89: Twist grip with setting screw (1)

- 2 Pull gently on the shift cable outer sleeve to adjust the play in the shift cable.

⇒ A play between 0.5 and 1.5 mm is ideal

⇒ A shift cable play of more than 2 mm has a negative effect on the shift quality and reduces the shift cable service life.

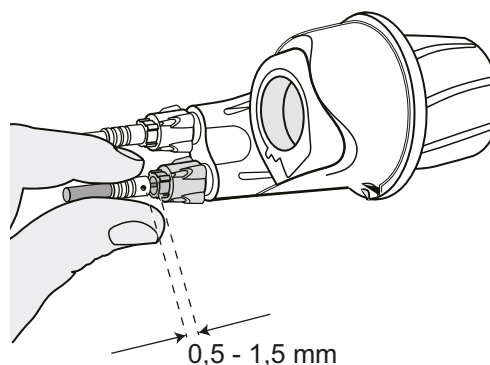


Figure 90: Twist grip with setting screw (1)



8 Maintenance

WARNING

Injury due to damaged brakes

Special tools and specialist knowledge are required to repair the brakes. Incorrect or unauthorised assembly can damage the brakes. This may lead to an accident with injuries.

- ▶ Only specialist dealers may carry out repairs on brakes.
- ▶ Only carry out work or changes, such as dismantling, sanding or painting, which are permitted and described in the brake operating instructions.

Injury to the eyes

Problems may arise if the settings are not made properly and you may sustain serious injuries as a result.

- ▶ Always wear safety glasses during maintenance work.

CAUTION

Crash and falling caused by unintentional activation

There is a risk of injury if the drive system is activated unintentionally.

- ▶ Remove the battery before inspection.

Crash caused by material fatigue

If the service life of a component has expired, the component may suddenly fail. This may cause a crash with injuries.

- ▶ Have the specialist dealer carry out basic cleaning of the S pedelec every six months, preferably at the same time as the required servicing work.

CAUTION

Hazard for the environment due to toxic substances

The brake system contains toxic and environmentally harmful oils and lubricants. Such fluids will contaminate if they enter the sewers or groundwater.

- ▶ Dispose of lubricants and oils left over after repairs in an environmentally responsible way
- ▶ in accordance with statutory regulations.

Notice

The motor is maintenance-free and only qualified specialist personnel may open it.

- ▶ Never open the motor.

You must have the specialist dealer perform maintenance every six months as a minimum. This is the only way to ensure that the S pedelec remains safe and fully functional. No matter whether disc brakes need replacing, brakes venting or wheels changing, many maintenance tasks require technical expertise, special tools and special lubricants. The S pedelec may become damaged if the stipulated maintenance intervals and procedures are not carried out. That is why only specialist dealers may carry out maintenance.

- ▶ The retailer will check the S pedelec based on the maintenance instructions in Section 11.3.
- ▶ The specialist dealer will inspect the S pedelec for any signs of material fatigue during basic cleaning.
- ▶ The specialist dealer will check the software version of the drive system and update it. The electrical connections are checked, cleaned and preservative agent is applied. The electrical cables are inspected for damage.

- ▶ The specialist dealer will dismantle and clean the entire suspension fork interior and exterior. They will clean and lubricate the dust seals and slide bushings, check the torques and adjust the fork to the rider's preferred position. They will also replace the sliding collar if the clearance is too great (more than 1mm on the fork bridge).
- ▶ The specialist dealer will fully inspect the interior and exterior of the rear frame damper, overhaul the rear frame damper, replace all air seals on air forks, overhaul the air suspension, change the oil and replace the dust wipers.
- ▶ They will pay particular attention to rim and brake wear. The spokes are re-tightened in accordance with the findings.

8.1 Suspension system

The correct execution of maintenance on the suspension system not only guarantees a long service life, but also ensures optimal performance. Each maintenance interval shows the maximum cycling hours for the corresponding type of recommended maintenance. Depending on terrain and environmental conditions, the performance can be optimised through shorter maintenance intervals.

8.1.1 Rear frame damper

Only applies to S pedelecs with this equipment

Maintenance intervals

RockShox rear frame damper		
<input type="checkbox"/>	Service air chamber assembly	Every 50 hours
<input type="checkbox"/>	Service damper and spring	Every 200 hours
FOX rear frame damper		
<input type="checkbox"/>	Complete maintenance (full interior and exterior inspection, damper overhaul, air spring overhaul, oil change and dust wiper replacement)	Every 125 hours or once a year
Suntour rear frame damper		
<input type="checkbox"/>	Complete shock absorber service including damper reassembly and air seal replacement	Every 100 hours

WARNING

Injury due to explosion

The air chamber is pressurised. If the air system is serviced in a rear frame damper, it can explode and cause serious injury.

- ▶ Wear safety goggles, protective gloves and safety clothing when assembling or carrying out maintenance on the S pedelec.
- ▶ Release the air for the air chambers. Detach all air insert fitments.
- ▶ Never service or dismantle a rear frame damper if it has not completely rebounded.

WARNING

Intoxication from suspension oil

Suspension oil is toxic to the touch, irritates respiratory tracts and causes cancer, sterility and mutation in germ cells.

- ▶ Always wear safety goggles and nitrile gloves when working with suspension oil.
- ▶ Never perform maintenance when you are pregnant.
- ▶ Use an oil catchment tray under the section where the rear frame damper is serviced.

CAUTION

Hazard for the environment due to toxic substances

The rear frame damper contains toxic and environmentally harmful oils and lubricants. Such fluids will contaminate if they enter the sewers or groundwater.

- ▶ Dispose of lubricants and oils left over after repairs in an environmentally responsible way in accordance with statutory regulations.

Special tools, special lubricants and knowledge of suspension components are required to maintain and repair the rear frame damper.

The rear frame damper may become damaged if the procedure is not followed as described. Only specialist dealers may carry out maintenance on rear frame damper.

8.1.2 Suspension fork

Only applies to S pedelecs with this equipment

Maintenance intervals

Suntour suspension fork		
<input type="checkbox"/>	Maintenance 1 Functional check, fastening and wear test	Every 50 hours
<input type="checkbox"/>	Maintenance 2 Maintenance 1 + cleaning entire fork interior and exterior / cleaning and lubrication of dust seals and guides/ plastic bushings / check torques	Every 100 hours
FOX suspension fork		
<input type="checkbox"/>	Full maintenance (complete interior/ exterior inspection, damper overhaul, replacement of air seals on air forks, air suspension overhaul, oil change and dust wiper replacement).	Every 125 hours or once a year
RockShox suspension fork		
<input type="checkbox"/>	Maintenance of stanchions for: Paragon™, XC™ 28, XC 30, 30™, Judy®, Recon™, Sektor™, 35™*, Bluto™, REBA®, SID®, RS-1™, Revelation™, PIKE®, Lyrik™, Yari™, BoXXer	Every 50 hours
<input type="checkbox"/>	Maintenance of spring and damper unit for: Paragon, XC 28, XC 30,30 (2015 and earlier), Recon (2015 and earlier), Sektor (2015 and earlier), Bluto (2016 and earlier), Revelation (2017 and earlier), REBA (2016 and earlier), SID (2016 and earlier), RS-1 (2017 and earlier), BoXXer (2018 and earlier)	Every 100 hours
<input type="checkbox"/>	Maintenance of spring and damper unit for: 30 (2016+), Judy (2018+), Recon (2016+), Sektor (2016+), 35 (2020+)*, Revelation (2018+), Bluto (2017+), REBA (2017+), SID (2017+), RS-1 (2018+), PIKE (2014+), Lyrik (2016+), Yari (2016+), BoXXer (2019+)	Every 200 hours

WARNING

Injury due to explosion

The air chamber is pressurised. If the air system is serviced in a faulty suspension fork, it can explode and cause serious injury.

- ▶ Wear safety goggles, protective gloves and safety clothing when assembling or carrying out maintenance on the S pedelec.
- ▶ Release the air for the air chambers. Detach all air insert fitments.
- ▶ Never service or dismantle a suspension fork if it has not completely rebounded.

CAUTION

Hazard for the environment due to toxic substances

The suspension fork contains toxic and environmentally harmful oils and lubricants. Such fluids will contaminate if they enter the sewers or groundwater.

- ▶ Dispose of lubricants and oils left over after repairs in an environmentally responsible way in accordance with statutory regulations.

Special tools, special lubricants and knowledge of suspension components are required to service and repair suspension forks.

The suspension fork may be damaged if procedures are not followed as described. Only specialist dealers may carry out maintenance on the suspension fork.

8.1.3 Suspension seat post

Only applies to S pedelecs with this equipment

Maintenance intervals

by.schulz seat post		
<input type="checkbox"/>	Check all screws for correct tightening torques for: G1 and G2	After 250 km and every 1,500 km
Suntour suspension seat post		
<input type="checkbox"/>	Maintenance 1	Every 100 hours
RockShox suspension seat post		
<input type="checkbox"/>	Venting of remote control lever and/or maintenance of lower seat post unit for: Reverb™ A1/A2/B1, Reverb Stealth A1/A2/B1/C1*, Reverb AXS™ A1*	Every 50 hours
<input type="checkbox"/>	Venting of remote control lever and/or maintenance of lower seat post unit for: Reverb B1, Reverb Stealth B1/C1*, Reverb AXS A1*	Every 200 hours
<input type="checkbox"/>	Complete maintenance of seat post for: Reverb A1/A2, Reverb Stealth A1/A2	Every 200 hours
<input type="checkbox"/>	Complete maintenance of seat post for: Reverb B1, Reverb Stealth B1	Every 400 hours
<input type="checkbox"/>	Complete maintenance of seat post for: Reverb AXS A1*, Reverb Stealth C1*	Every 600 hours
All other suspension seat posts		
<input type="checkbox"/>	Maintenance	Every 100 hours

Special tools, special lubricants and knowledge of suspension components are required to service and repair suspension seat posts.

The suspension seat post may be damaged if procedures are not followed as described. Only specialist dealers may carry out maintenance on the suspension seat post.

8.2 Axle with quick release



Crash caused by unfastened quick release

A faulty or incorrectly installed quick release may become caught in the brake disc and block the wheel. This will cause a crash.

- ▶ Install the front wheel quick release lever on the opposite side to the brake disc.

Crash caused by faulty or incorrectly installed quick release

The brake disc becomes very hot during operation. Parts of the quick release may become damaged as a result. The quick release comes loose. This will cause a crash with injuries.

- ▶ The front wheel quick release lever and the brake disc must be situated on opposite sides.

Crash caused by incorrectly set clamping force

Excessively high clamping force will damage the quick release and cause it to lose its function.

Insufficient clamping force will cause a detrimental transmission of force. The suspension fork or the frame may break. This will cause a crash with injuries.

- ▶ Never fasten a quick release using a tool (e.g. hammer or pliers).
- ▶ Only use the clamping lever with the specified set clamping force.

8.2.1 Checking the quick release

- ▶ Check the position and clamping force of the quick release lever. The quick release lever must be flush with the lower housing. You must be able to see a slight impression on the palm of your hand when you close the quick release lever.



Figure 91: Adjusting the quick release clamping force

- ▶ Use a 4 mm hexagon socket spanner to adjust the clamping lever clamping force if required. Check the quick release lever position and clamping force.

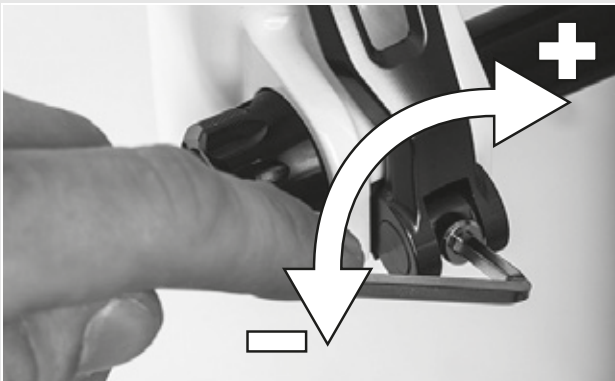


Figure 92: Adjusting the quick release clamping force

8.3 Maintaining the stem

Incorrectly fastened screws may come loose due to impact. The stem may no longer be firmly fixed in its position as a result. This will cause a crash with injuries.

- ▶ Check the handlebars and the stem's quick release system are firmly in position after the first two hours of riding.

9 Troubleshooting, fault clearance and repair

9.1 Troubleshooting and fault clearance

The components of the drive system are checked constantly and automatically. If an error is detected, an error message appears on the *display*. The drive may be shut off automatically, depending on the type of error.

9.1.1 Drive system or on-board computer does not start up

If the on-board computer and/or the drive system do not start up, proceed as follows:

- 1 Check whether the battery is switched on. If not, start the battery.
- ⇒ Contact specialist dealer if the battery level indicator LEDs do not light up.
- 2 If the LEDs on the battery level indicator light up, but the drive system does not start up, remove the battery.
- 3 Insert the battery.
- 4 Start the drive system.
- 5 If the drive system does not start up, remove the battery.
- 6 Clean all the contacts with a soft cloth.
- 7 Insert the battery.
- 8 Start the drive system.
- 9 If the drive system does not start up, remove the battery.
- 10 Fully charge the battery.
- 11 Insert the battery.
- 12 Start the drive system.
- 13 If the drive system does not start, press the **On-Off button (on-board computer)** for at least 8 seconds.
- 14 If the drive system does not start after about 6 seconds, press the **On-Off button (on-board computer)** for at least 2 seconds.
- 15 Contact your specialist dealer if the drive system does not start.

9.1.2 Error message

If an error message is displayed, run through the following actions:

- 1 Make a note of the system message. There is a table containing all system messages in Section [9.1](#).
- 2 Shut off and re-start the drive system.
- 3 If the system message is still displayed, remove the battery and then re-insert.
- 4 Re-start the drive system.
- 5 If the system message is still displayed, contact your specialist dealer.

9.1.3 Errors in the assistance system

Symptom	Cause	Remedy
Assistance is not available.	Is the speed too high?	1 Check on-screen indicators. The electronic gear assistance is only active up to a maximum speed of 25 km/h.
	Is the battery charged sufficiently?	2 Check battery is charged. 3 Recharge the battery if it is almost flat.
	The battery may become too hot during rides at high temperatures, up long inclines or when carrying a heavy load for a long time.	4 Switch off the drive system. 5 Wait a moment and then check again.
	The rechargeable battery, the on-board computer or the assistance switch may be connected incorrectly, or one or more of them may have a problem.	6 Contact your specialist dealer.
Assistance is not available.	Are the pedals being pushed?	1 The S pedelec is not a motorbike. Push the pedals.
	Is the system switched on?	2 Press On-Off button (battery) to switch on the system.
	Is the assistance mode set to [OFF]?	3 Set the assistance mode to a different level of assistance than [OFF]. 4 Contact your specialist dealer if you still feel that the no assistance is being supplied.
The assisted journey distance is too short.	The battery does not perform as well in winter weather.	This does not indicate a problem.
	The journey distance can be shorter depending on the road conditions, the gear level and the entire light usage time.	1 Check battery is charged. 2 Recharge the battery if it is almost flat.
	Is the battery fully charged?	3 If the distance covered with a fully charged battery has become shorter, the battery may be affected. Replace the battery with a new one.
	The battery is a consumable. Repeated charging and long periods of use cause the battery to degrade (loss of power).	4 If the distance you can cover with one single charge is very short, replace the battery with a new one.
It is difficult to pedal.	Are the tyres pumped to an adequate pressure?	1 Pump up tyres.
	Is the assistance mode set to [OFF]?	2 Set level of assistance of assistance to [BOOST].
	The battery charge might be low.	3 Check battery is charged. 4 Recharge the battery if it is almost flat.
	Have you switched on the system with your foot on the pedal?	5 Switch on the system again without applying pressure to the pedals. 6 If assistance is still not supplied, contact your specialist dealer.

Table 35: Error solution for assistance system

9.1.4 Battery error

Symptom	Cause	Remedy
The battery discharges very quickly.	The battery may be at the end of its useful life.	► Replace old battery with new one.
The battery cannot be recharged.	Is the charger mains plug firmly connected to the socket?	1 Disconnect the charger mains plug. 2 Insert the mains plug. 3 Start charging.
	Is the charger plug firmly inserted into the battery?	4 If the battery still won't recharge, disconnect the charger plug. 5 Insert charger plug. 6 Start charging.
	Is the adapter firmly connected to the charger plug or the battery's charging port?	7 If you are still unable to recharge the battery, connect the adapter with the charger plug or the battery's charger connection. 8 Start charging.
	Is the connection terminal for the charger, charger adapter or battery dirty?	9 If you are still unable to recharge the battery, wipe the connection terminals with a dry cloth to clean them. 10 Start charging. 11 If the battery still won't recharge, contact your specialist dealer.
The battery does not start charging when the charger is connected.	The battery may be at the end of its useful life.	► Replace old battery with new one.
The battery and charger become hot.	The battery or charger temperature may have exceeded the operating temperature range.	1 Interrupt charging process. 2 Wait a moment. 3 Start charging. 4 If the battery is too hot to touch, there might be a problem with the battery. Contact your specialist dealer.
The charger is hot.	If the charger is used continuously to charge batteries, it may become hot.	1 Wait a moment. 2 Start charging.
The LED on the charger does not light up.	The LED on the charger will go out when the battery is fully charged.	This is not a malfunction.
	Is the charger plug firmly connected to battery?	1 Check the connection for any contaminants. 2 Insert charger plug. 3 Contact your specialist dealer if there is no change.
	Is the battery fully charged?	4 Disconnect the charger mains plug if there is no change. 5 Insert the mains plug. 6 Start charging. 7 Contact your specialist dealer if the LED on the charger still doesn't light up.
The battery cannot be removed.		► Contact your specialist dealer.
The battery cannot be inserted.		► Contact your specialist dealer.
Fluid is leaking from the battery.		► Observe all the warnings in Section 2 Safety.

Table 36: Error solution for battery

Symptom	Cause	Remedy
There is an unusual smell.		<ol style="list-style-type: none"> 1 Remove the battery from the S pedelec immediately. 2 Contact the fire service. 3 Observe all the warnings in Section 2 Safety.
Fumes are emitted from the battery.		<ol style="list-style-type: none"> 1 Remove the battery from the S pedelec immediately. 2 Contact the fire service. 3 Observe all the warnings in Section 2 Safety.

Table 36: Error solution for battery

9.1.5 On-board computer error

Symptom	Cause	Remedy
No data is shown on the monitor when the On-Off button (battery) is pressed.	The battery charge level may be insufficient.	1 Charge the battery.
	Is the power switched on?	2 Press the On-Off button (battery) to switch the power on.
	Is the battery charged?	3 If the battery is fitted to the S pedelec and is being charged, it cannot be switched on. Interrupt charging process.
	Is the connector fitted to the power cable correctly?	<ol style="list-style-type: none"> 4 Check that the power cable connector has not been disconnected. 5 Contact your specialist dealer if this is not the case.
	A component may be connected which the system is unable to recognise.	6 Contact your specialist dealer.
The gear level is not shown on the display screen.	The gear level is only shown if the electronic gear shift is used.	<ol style="list-style-type: none"> 1 Check whether the power cable plug has been disconnected. 2 Contact your specialist dealer if this is not the case.
The settings menu cannot be opened while you are riding.	The product is designed in such a way that the settings menu cannot be opened if the system detects that someone is riding the S pedelec. This is not a malfunction.	<ol style="list-style-type: none"> 1 Stop the S pedelec. 2 Change settings when stationary only.
The time display is flashing "0:00".	The battery in the on-board computer has come to the end of its service life.	► Contact your specialist dealer to replace the on-board computer battery.

Table 37: Display error solution

9.1.6 Lighting does not work

Symptom	Cause	Remedy
The front light or rear light does not go on, even when the switch is pressed.	The basic settings in the electric drive system have probably been configured incorrectly. The light is defective.	<ol style="list-style-type: none"> 1 Take the S pedelec out of service immediately. 2 Contact your specialist dealer.

Table 38: Error solution for battery

9.1.7 Other errors

Symptom	Cause	Remedy
Two beeps will sound if a switch is pressed but the switch cannot be operated.	Pressed switch mode has been deactivated.	▶ This is not a malfunction.
Three beeps are sounded.	A fault or warning has occurred. This occurs when an error message is displayed.	▶ Follow the instructions for the code indicated on the display screen in Section 6.2 System Messages.
When you use an electronic gear shift, you can feel that pedal assistance becomes weaker when the gear is changed.	This is because the on-board computer sets the pedal assistance to the optimum level.	▶ This is not a malfunction.
A noise can be heard after switching.		▶ Contact your specialist dealer.
It is normal to hear a noise coming from the rear wheel when cycling as normal.	The gear shift setting may not have been made properly.	▶ Contact your specialist dealer.
If the S pedelec stops, gear transmission does not switch to the position pre-configured in the functional feature.	You may have applied too much pressure on the pedals.	▶ It is easier to change gears if you press onto the pedals gently.

Table 39: Error solution for battery

9.1.8 Suspension fork

9.1.8.1 Rebound too fast

The suspension fork rebounds too quickly, producing a "pogo stick" effect, where the wheel lifts from the ground in an uncontrolled way. This impairs traction and control (blue line).

Fork head and handlebars are deflected upwards if the wheel bounces back from the ground. The rider's weight may be shifted up and back in an uncontrolled way (green line).

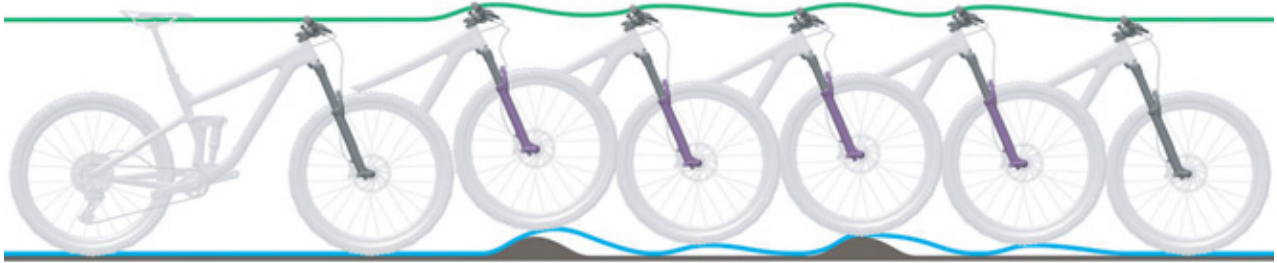
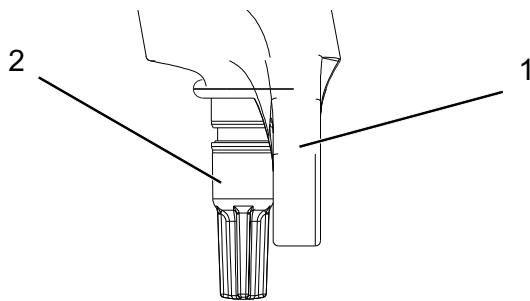


Figure 93: Suspension fork rebounding too quickly

Solution



- Turn the rebound adjuster clockwise to reduce the rebound speed and increase traction and control.

Figure 94: Suntour rebound screw (2), fork (1)

9.1.8.2 Rebounding too slowly

The fork does not rebound quickly enough after absorbing a bump. The fork also remains deflected over subsequent bumps, which reduces deflection and increases the hardness of impacts. Available deflection, traction and control decrease (blue line).

The fork remains in a deflected state, causing the headset and handlebars to move to a lower position. The rider's weight is shifted forward after the impact (green line).

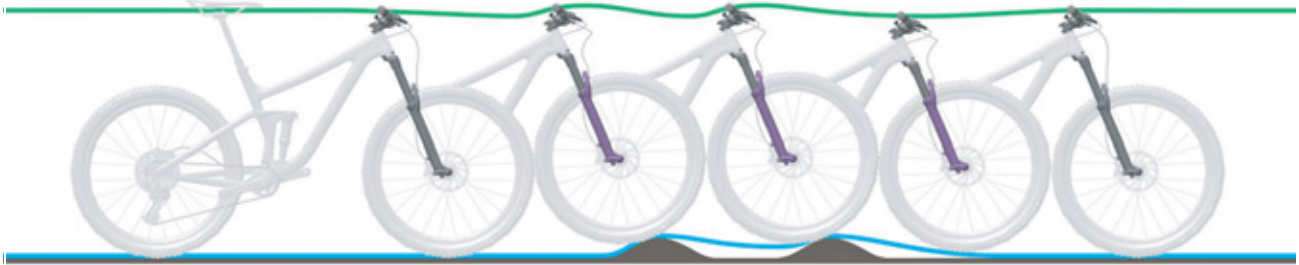
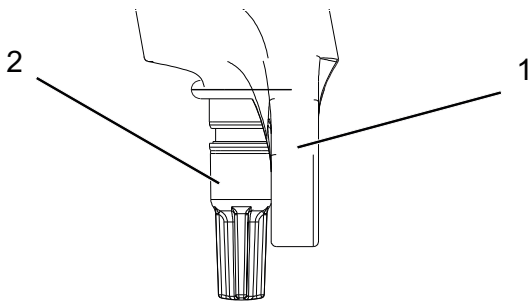


Figure 95: Suspension fork rebounding too slowly

Solution



- ▶ Turn the rebound adjuster anti-clockwise to increase the rebound speed and improve performance when riding over bumps.

Figure 96: Suntour rebound screw (2), fork (1)

9.1.8.3 Suspension too soft on inclines

The fork deflects at a low point in the terrain. The deflection is quickly used up, the rider's weight

may shift forward and the S pedelec will possibly lose some momentum.

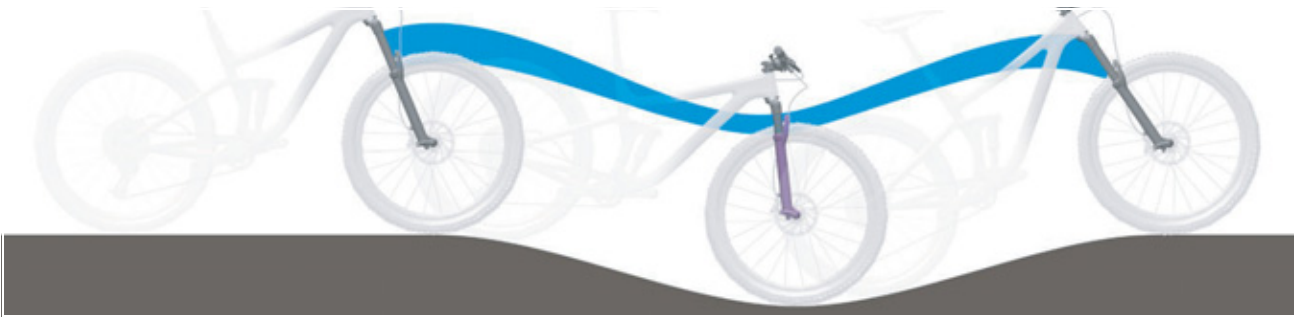


Figure 97: Excessively soft suspension in the suspension fork on hilly terrain

Solution



- ▶ To improve efficiency on hilly and flat terrain, turn the compression adjuster clockwise to increase compression damping and hardness and reduce the deflection speed.

Figure 98: Changing compression adjuster to a harder setting

9.1.8.4 Excessively hard damping on bumps

When the bike hits a bump, the fork deflects too slowly and the wheel lifts up from the bump. Traction decreases when the wheel no longer touches the ground.

The headset and handlebars are deflected upwards significantly, which can impair control.



Figure 99: Excessively hard damping in the suspension fork on bumps

Solution



- ▶ To increase sensitivity to small bumps, turn the compression adjuster anti-clockwise to decrease damping and hardness and increase the deflection speed.

Figure 100: Changing compression adjuster to a softer setting

9.2 Repair

Special knowledge and tools are required for many repairs. That is why only a specialist dealer may perform repairs such as:

- Replacing tyres and rims
- Replacing rims, brake linings and brake discs
- Replacing and tensioning the chain.

9.2.1 Original parts and lubricants

The individual S pedelec parts have been carefully selected and matched to one other.

Only original parts and lubricants must be used for maintenance and repair.

The constantly updated accessory approval and parts lists are in Section 11, Documents and Drawings.

Observe the operating instructions for the new components.

9.2.2 Replacing the lighting

- ▶ Only use components of the respective power class for replacement.

9.2.3 Adjusting the headlight

- ▶ The *headlight* must be set, so that its light beam shines on the road 10 m in front of the S pedelec.

9.2.4 Tyre clearance check

The tyre needs to be checked each time a suspension fork tyre is changed to another size.

- 1 Release pressure from the fork.
- 2 Press fork together fully.
- 3 Measure the gap between the top of the tyre and the crown's lower surface. The gap must not be less than 10 mm. If the tyre is too large, the tyre will touch the crown's lower surface if the fork is fully pressed together.
- 4 Release pressure on fork and pump it up again if it is an air suspension fork.
- 5 Take into account the fact that the gap will be smaller if there is a guard. Check again to ensure that there is sufficient clearance for the tyre.

10 Recycling and disposal



This device is marked according to the European Directive 2012/19/EU on waste electrical and electronic equipment – WEEE and the European



Directive 2006/66/EC on accumulators. The directive provides the framework for the return and recycling of used devices

across the EU. As a consumer, you are legally required to return all used batteries of any type. It is forbidden to dispose of batteries in domestic waste. The manufacturer is obliged to take back used and old batteries free of charge as per Section 9 German Batteries Act. You thus meet statutory obligations and help to protect the environment. The S pedelec, battery, motor, display screen and charger are recyclable materials. You must dispose of and recycle them separately from the domestic waste in compliance with applicable statutory regulations. Separate collection and recycling saves reserves of raw materials and ensures that all the regulations for protection of health and the environment are adhered to when recycling the product and/or the battery.

- ▶ Never dismantle the S pedelec, batteries or charger for disposal.
- ▶ The S pedelec, display screen, the unopened and undamaged battery and the charger can be returned to any specialist dealer free of charge. Depending on the region, further disposal options may be available.
- ▶ Store the individual parts of the decommissioned S pedelec in a dry place, free from frost, where they are protected from direct sunlight.

11 Documents

11.1 Parts and repair list

Item name	Description		
Front wheel fork	SR Suntour Inc.	Fork SF20 XCR34 Air BOOST	www.srsuntour.com/no/generalforkmanual/
Handlebars	HUMPERT W. GMBH & CO.KG	ergotec ERGO Plus XL Lv6	https://www.ergotec.de/en/service-1.html
Stem	HUMPERT W. GMBH & CO.KG	ergotec SWELL XR Lv6	
Handles	RTI Sports – Ergon	GP1	Email to: service@zeg.de
Seat post	Limotec	DP03	
Saddle	VELO	ZECURE M VL-3561 ZECURE XL VL-6483	
Brake			
Front			
Disc brake	Magura	MT5e	www.magura.com/de/components/techcenter/
Brake linings	Magura	Magura 9.S	
Brake disc	Magura	MDR-C	
Brake lever	Magura	MT5e	
Brake cable	Magura	Magura disc tube black	
Rear			
Disc brake	Magura	MT5e	www.magura.com/de/components/techcenter/
Brake linings	Magura	Magura 9.S	
Brake disc	Magura	MDR-C	
Brake lever	Magura	MT5e	
Brake cable	Magura	Magura disc tube black	
Wheel			
Front			
Hub	Shimano	HB-MT400-B	https://si.shimano.com
Spoke	Mach1	Plus	Email to: service@zeg.de
Spoke nipples	Mach1	Standard	
Rim	Rodi RIM	TRYP35	
Tyres	CST, Supero Intercorsa	cc-06	
Rear			
Hub	enviolo	enviolo TR	support.enviolo.com/hc/en-us
Spoke	Mach1	Plus	Email to: service@zeg.de
Spoke nipples	Mach1	Standard	
Rim	Rodi RIM	TRYP35	
Tyres	CST, Supero Intercorsa	cc-06	
Electric drive			
Display	Robert Bosch GmbH	Kiox display unit	www.bosch-ebike.com/en/service/downloads/
Control panel	Robert Bosch GmbH	Kiox control panel	
Chain/belt	Universal Transmission GmbH	CDX toothed belt CDXBbk122	Email to: service@zeg.de

Light system			
Headlight	Supernova Design GmbH&Co. KG	M99 Mini PRO-45	
Rear light, registration plate light	Supernova Design GmbH&Co. KG	Uni Legal Kit	www.supernova-lights.com/service/downloads/
Rear reflector	Supernova Design GmbH&Co. KG	KM114	
Non-triangular side reflector	Busch+Müller	Yellow rear reflector 306/2KG-1	https://www.bumm.de/en/products.html
Pedal reflector	VP	VP-831P	Email to: service@zeg.de
Gear shift			
Hub	enviolo	enviolo TR	support.enviolo.com/hc/en-us
Crank	FSA	FSA CK-320/IS/Gen4	Email to: service@zeg.de
Pinion/toothed wheel	Universal Transmission GmbH	Front sprocket CDXS46BG4UB	Email to: service@zeg.de
Shifter, right-hand	enviolo	enviolo CT manual controller	support.enviolo.com/hc/en-us
Additional components			
Pannier rack	Standwell	SW-KM081SE	Email to: service@zeg.de
Rear mirror	Busch+Müller	CYCLE STAR E 913/712VLGE-1	https://www.bumm.de/en/products.html
Horn	Busch+Müller	Signalhorn 660STM65-1	
Vehicle stand	Ursus	Wave Rear	Email to: service@zeg.de
Registration plate holder	Supernova Design GmbH&Co. KG	Uni Legal Kit	www.supernova-lights.com/service/downloads/



11.2 Assembly report

Date:

Frame number:

Components	Description		Criteria		Measures if rejected
	Assembly/inspection	Tests	Acceptance	Rejection	
Front wheel	Assembly		O.K.	Loose	Adjust quick release
Kickstand	Check mount fastening	Functional check	O.K.	Loose	Retighten screws
Tyres		Tyre pressure check	O.K.	Tyre pressure too low/ too high	Adjust tyre pressure
Frame	Check for damage – fracture, scratches		O.K.	Damage detected	<i>Take out of operation, new frame</i>
Handles, coverings	Check mount fastening		O.K.	Not provided	Retighten screws, new handles or coverings as specified in parts list
Handlebars, stem	Check mount fastening		O.K.	Loose	Retighten screws; new stem as specified in parts list if necessary
Steering headset	Check for damage	Functional check	O.K.	Loose	Retighten screws
Saddle	Check mount fastening		O.K.	Loose	Retighten screws
Seat post	Check mount fastening		O.K.	Loose	Retighten screws
Protective plate	Check mount fastening		O.K.	Loose	Retighten screws
Pannier rack	Check mount fastening		O.K.	Loose	Retighten screws
Attachments	Check mount fastening		O.K.	Loose	Retighten screws
Bell		Functional check	O.K.	No ring, too quiet, missing	New bell as specified in the parts list
Suspension elements					
Fork, suspension fork	Check for damage		O.K.	Damage detected	New fork as specified in the parts list
Rear frame damper	Check for damage		O.K.	Damage detected	New fork as specified in the parts list
Suspension seat post	Check for damage		O.K.	Damage detected	New fork as specified in the parts list
Brake system					
Brake lever	Check mount fastening		O.K.	Loose	Retighten screws
Brake fluid	Check fluid level		O.K.	Too little	Refill with brake fluid; new brake hoses if damaged
Brake linings	Check brake linings, brake discs or rims for damage		O.K.	Damage detected	New brake linings, brake discs or rims
Back-pedal brake braking armature	Check mount fastening		O.K.	Loose	Retighten screws
Light system					
Rechargeable battery	First examination		O.K.	Error message	<i>Take out of service</i> ; contact battery manufacturer, new battery
Light cabling	Connections, correct wiring		O.K.	Cable defective, no light	New cabling
Rear light	Side light	Functional check	O.K.	No constant light	<i>Take out of service</i> ; new rear light as specified in parts list; replace if necessary
Front light	Side light, daytime riding light	Functional check	O.K.	No constant light	<i>Take out of service</i> ; new front light as specified in parts list; replace if necessary
Reflectors	All complete, state, fastening		O.K.	Damaged or not all complete	New reflectors

Components	Description		Criteria	Measures if rejected	
Drive/gear shift					
Chain/cassette/pinion/chainring	Check for damage		O.K.	Damage	Refasten if necessary or replace as specified in parts list
Chain guard/spoke guard	Check for damage		O.K.	Damage	Replace as specified in parts list
Bottom bracket axle/crank	Check mount fastening		O.K.	Loose	Retighten screws
Pedals	Check mount fastening		O.K.	Loose	Retighten screws
Shifter	Check mount fastening	Functional check	O.K.	Loose	Retighten screws
Shift cables	Check for damage	Functional check	O.K.	Loose or defective	Adjust shift cables; new shift cables if necessary
Front derailleur	Check for damage	Functional check	O.K.	Gear shift difficult or not possible	Adjust
Rear derailleur	Check for damage	Functional check	O.K.	Gear shift difficult or not possible	Adjust
Electric drive					
Display	Check for damage	Functional check	O.K.	No screen, defective screen display	Restart, test battery, new software, or new display – <i>take out of service</i> ,
Electric drive control panel	DriveCheck for damage	Functional check	O.K.	No response	Restart; contact control panel manufacturer, new control panel
Tachometer		Speed measurement	O.K.	S pedelec travelling 10% too fast/slow	Take the S pedelec out of service until the source of the error is found
Cabling	Visual inspection		O.K.	Failure in system, damage, kinked cables	New cabling
Battery mount	Firmly in position, lock, contacts	Functional check	O.K.	Loose; lock doesn't close, no contacts	New battery mount
Motor	Visual inspection and mount		O.K.	Damage, loose	Refasten motor, contact motor manufacturer, new motor
Software	Check version		In latest version	Not latest version	Import update

Technical inspection, checking safety, test ride

Components	Description		Criteria	Measures if rejected
	Assembly/inspection	Tests	Acceptance Rejection	
Brake system		Functional check	O.K. No full braking; braking distance too long	Locate defective part in brake system and correct
Gear shift under operating load		Functional check	O.K. Problems when shifting gear	Readjust gear shift
Suspension components (fork, shock absorber, seat post)		Functional check	O.K. Suspension too deep or no longer exists	Locate defective component and correct
Electric drive		Functional check	O.K. Loose connection, problems when riding, accelerate	Locate defective part in electric drive and correct
Light system		Functional check	O.K. No continuous light, too bright	Locate defective part in light system and correct
Test ride			No strange noises Strange noises	Locate source of noise and correct

Date:	
Fitter's name:	
Final inspection by workshop manager	



11.3 Maintenance instructions

Diagnosis and documentation of current status

Date:

Frame number:

Components	Frequency	Description			Criteria		Measures if rejected
		Inspection	Tests	Maintenance	Acceptance	Rejection	
Front wheel	6 months	Assembly			O.K.	Loose	Adjust quick release
Kickstand	6 months	Check mount fastening	Functional check		O.K.	Loose	Retighten screws
Tyres	6 months		Tyre pressure check		O.K.	Tyre pressure too low/too high	Adjust tyre pressure
Frame	6 months	Check for damage – fracture, scratches			O.K.	Damage detected	Take the S pedelec out of service, new frame
Handles, coverings	6 months	Wear; check if fastened securely			O.K.	Not provided	Retighten screws, new handles or coverings as specified in parts list
Handlebars, stem	6 months	Check mount fastening			O.K.	Loose	Retighten screws; new stem as specified in parts list if necessary
Steering headset	6 months	Check for damage	Functional check	Lubricating and adjustment	O.K.	Loose	Retighten screws
Saddle	6 months	Check mount fastening			O.K.	Loose	Retighten screws
Seat post	6 months	Check mount fastening			O.K.	Loose	Retighten screws
Protective plate	6 months	Check mount fastening			O.K.	Loose	Retighten screws
Pannier rack	6 months	Check mount fastening			O.K.	Loose	Retighten screws
Attachments	6 months	Check mount fastening			O.K.	Loose	Retighten screws
Bell	6 months		Functional check		O.K.	No ring, too quiet, missing	New bell as specified in the parts list
Suspension elements							
Fork, suspension fork	To manufacturer's specifications*	Check for damage – corrosion, fracture		Maintenance as specified by manufacturer Lubrication, oil change as specified by manufacturer	O.K.	Damage detected	New fork as specified in the parts list
Rear frame damper	To manufacturer's specifications*	Check for damage – corrosion, fracture		Maintenance as specified by manufacturer Lubrication, oil change as specified by manufacturer	O.K.	Damage detected	New fork as specified in the parts list
Suspension seat post	To manufacturer's specifications*	Check for damage		Maintenance as specified by manufacturer	O.K.	Damage detected	New fork as specified in the parts list
Brake system							
Brake lever	6 months	Check mount fastening			O.K.	Loose	Retighten screws
Brake fluid	6 months	Check fluid level		Depending on time of year	O.K.	Too little	Top up brake fluid; <i>take the S pedelec out of service</i> if damaged; new brake hoses
Brake linings	6 months	Check brake linings, brake discs or rims for damage			O.K.	Damage detected	New brake linings, brake discs or rims
Back-pedal brake braking armature	6 months	Check mount fastening			O.K.	Loose	Retighten screws
Brake system	6 months	Check mount fastening		Functional check	O.K.	Loose	Retighten screws

* see Section 8.1

Components	Frequency	Description			Criteria		Measures if rejected
		Inspection	Tests	Maintenance	Acceptance	Rejection	
Light system							
Rechargeable battery	6 months	First examination			O.K.	Error message	Contact battery manufacturer; <i>take out of service</i> , new battery
Light cabling	6 months	Connections, correct wiring			O.K.	Cable defective, no light	New cabling
Rear light	6 months	Side light	Functional check		O.K.	No constant light	New rear light as specified in parts list; replace if necessary
Front light	6 months	Side light, daytime riding light	Functional check		O.K.	No constant light	New front light as specified in parts list; replace if necessary
Reflectors	6 months	All complete, state, fastening			O.K.	Damaged or not all complete	New reflectors
Drive/gear shift							
Chain/cassette/pinion/chainring	6 months	Check for damage			O.K.	Damage	Refasten if necessary or replace as specified in parts list
Chain guard/spoke guard	6 months	Check for damage			O.K.	Damage	Replace as specified in parts list
Bottom bracket axle/crank	6 months	Check mount fastening			O.K.	Loose	Retighten screws
Pedals	6 months	Check mount fastening			O.K.	Loose	Retighten screws
Shifter	6 months	Check mount fastening	Functional check		O.K.	Loose	Retighten screws
Shift cables	6 months	Check for damage	Functional check		O.K.	Loose or defective	Adjust shift cables; new shift cables if necessary
Front derailleur	6 months	Check for damage	Functional check		O.K.	Gear shift difficult or not possible	Adjust
Rear derailleur	6 months	Check for damage	Functional check		O.K.	Gear shift difficult or not possible	Adjust
Electric drive							
Display	6 months	Check for damage	Functional check		O.K.	No screen, defective screen display	Restart, test battery, new software, or new display – <i>take out of service</i> ,
Electric drive control panel	6 months	DriveCheck for damage	Functional check		O.K.	No response	Restart; contact control panel manufacturer, new control panel
Tachometer	6 months		Speed measurement		O.K.	S pedelec travelling 10% too fast/slow	Take the S pedelec out of service until the source of the error is found
Cabling	6 months	Visual inspection			O.K.	Failure in system, damage, kinked cables	New cabling
Battery mount	6 months	Firmly in position, lock, contacts	Functional check		O.K.	Loose; lock doesn't close, no contacts	New battery mount
Motor	6 months	Visual inspection and mount			O.K.	Damage, loose	Refasten motor, contact motor manufacturer, new motor; <i>take out of service</i>
Software	6 months	Check version			In latest version	Not latest version	Import update

Technical inspection, checking safety, test ride

Components	Description		Criteria		Measures if rejected
	Assembly/inspection	Tests	Acceptance	Rejection	
Brake system	6 months	Functional check	O.K.	No full braking; braking distance too long	Locate defective part in brake system and correct
Gear shift under operating load	6 months	Functional check	O.K.	Problems when shifting gear	Readjust gear shift
Suspension components (fork, shock absorber, seat post)	6 months	Functional check	O.K.	Suspension too deep or no longer exists	Locate defective component and correct
Electric drive	6 months	Functional check	O.K.	Loose connection, problems when riding, accelerate	Locate defective part in electric drive and correct
Light system	6 months	Functional check	O.K.	No continuous light, too bright	Locate defective part in light system and correct
Test ride	6 months	Functional check	No strange noises	Strange noises	Locate source of noise and correct

Date:	
Fitter's name:	
Final inspection by workshop manager	

Notes

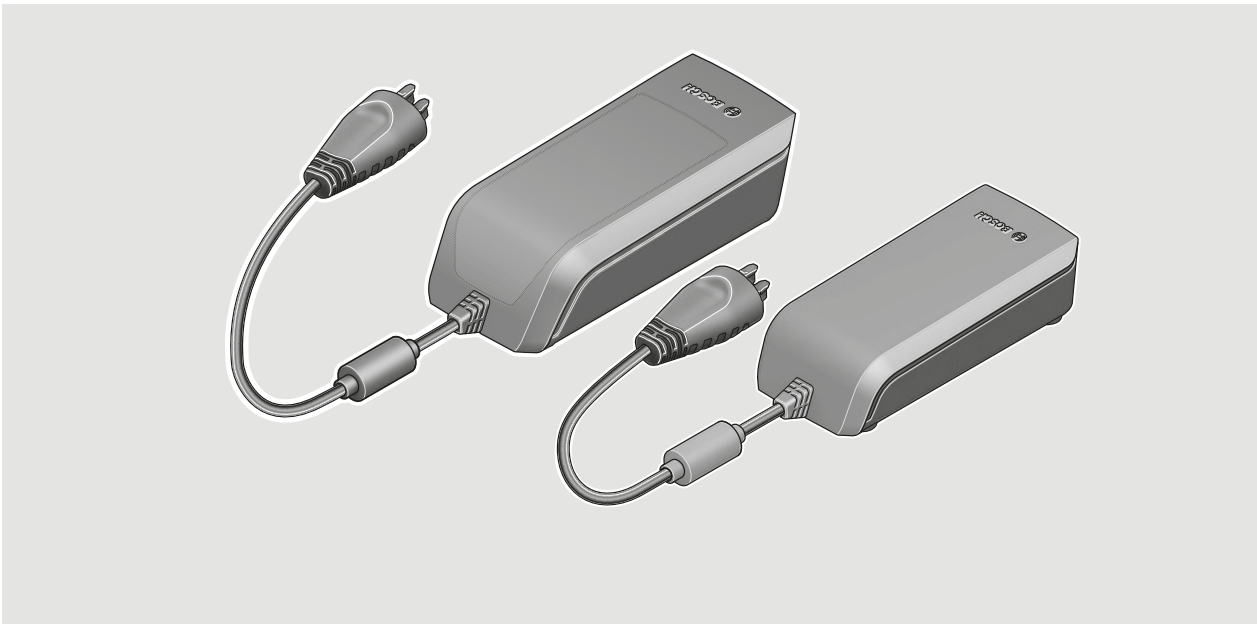
Notes

11.4 Charger operating instructions



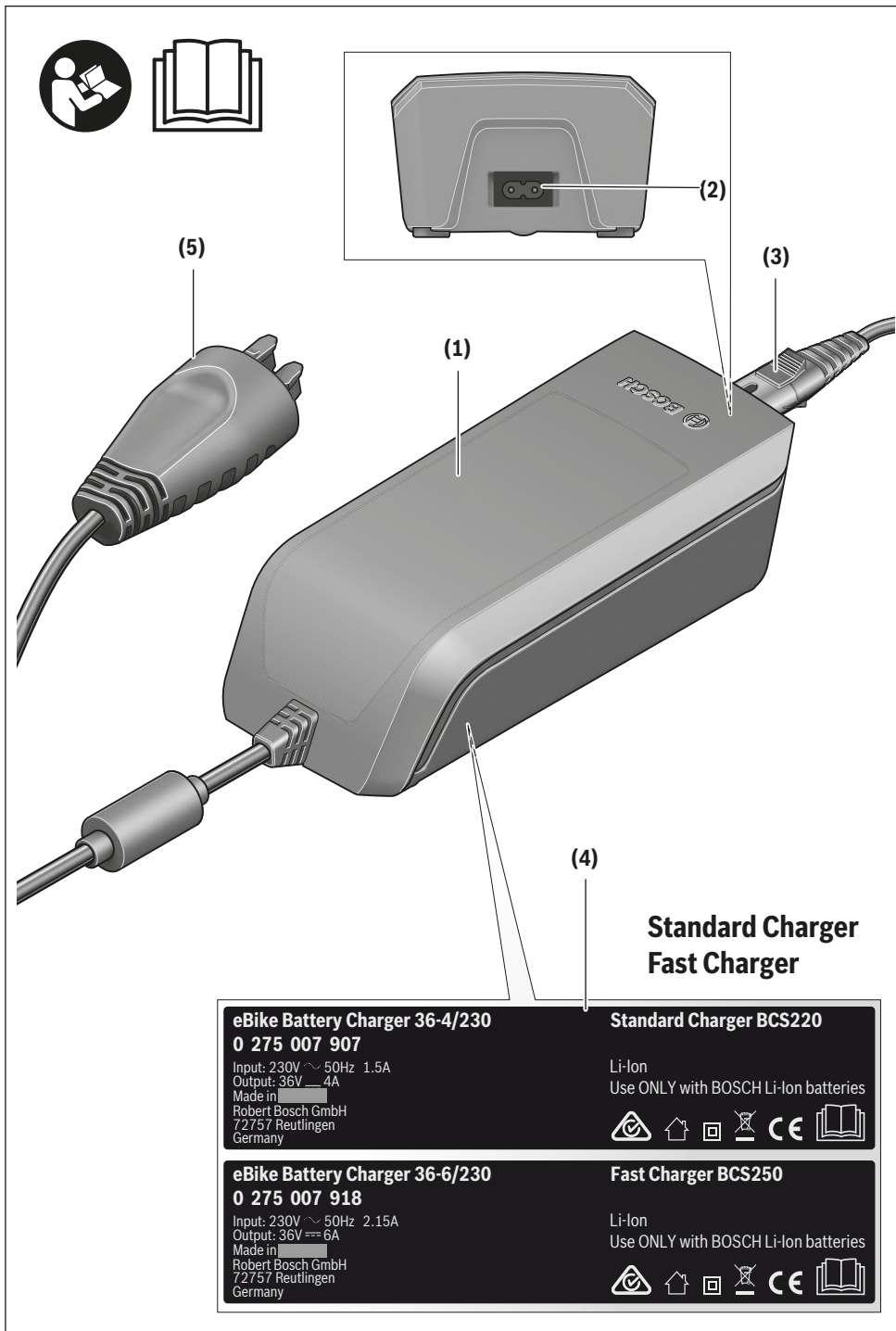
Charger

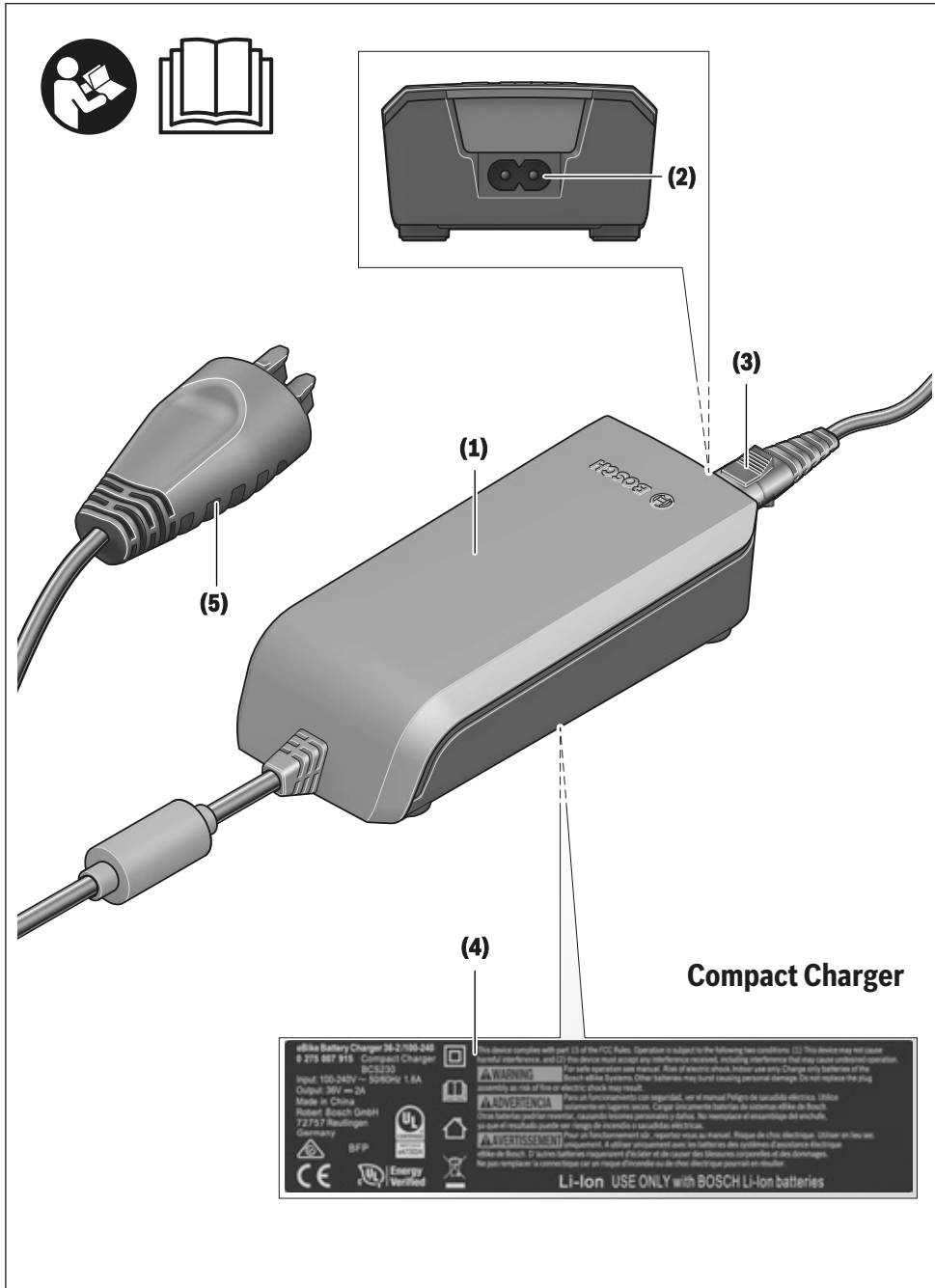
BCS220 | BCS230 | BCS250



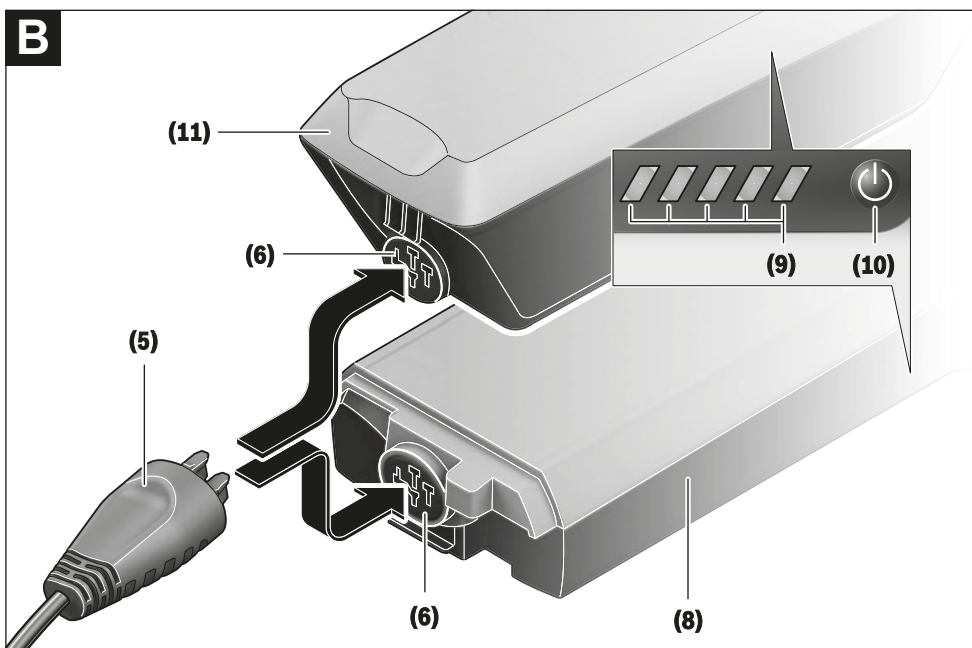
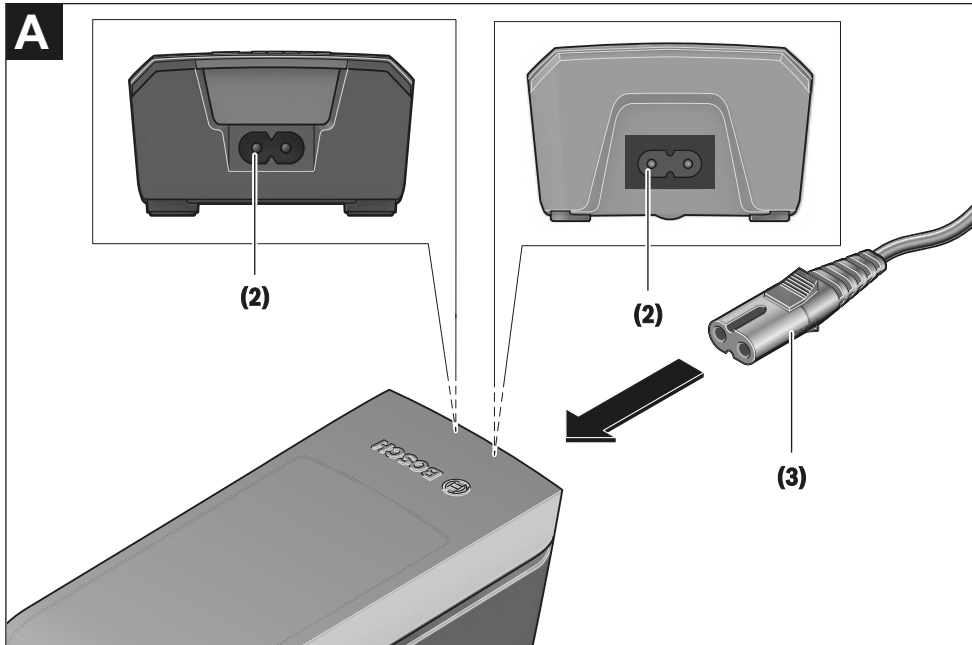
- de** Originalbetriebsanleitung
- en** Original operating instructions
- fr** Notice d'utilisation d'origine
- es** Instrucciones de servicio originales
- pt** Manual de instruções original
- it** Istruzioni d'uso originali
- nl** Oorspronkelijke gebruiksaanwijzing
- da** Original brugsanvisning
- sv** Originalbruksanvisning
- no** Original bruksanvisning
- fi** Alkuperäinen käyttöopas
- el** Πρωτότυπες οδηγίες λειτουργίας

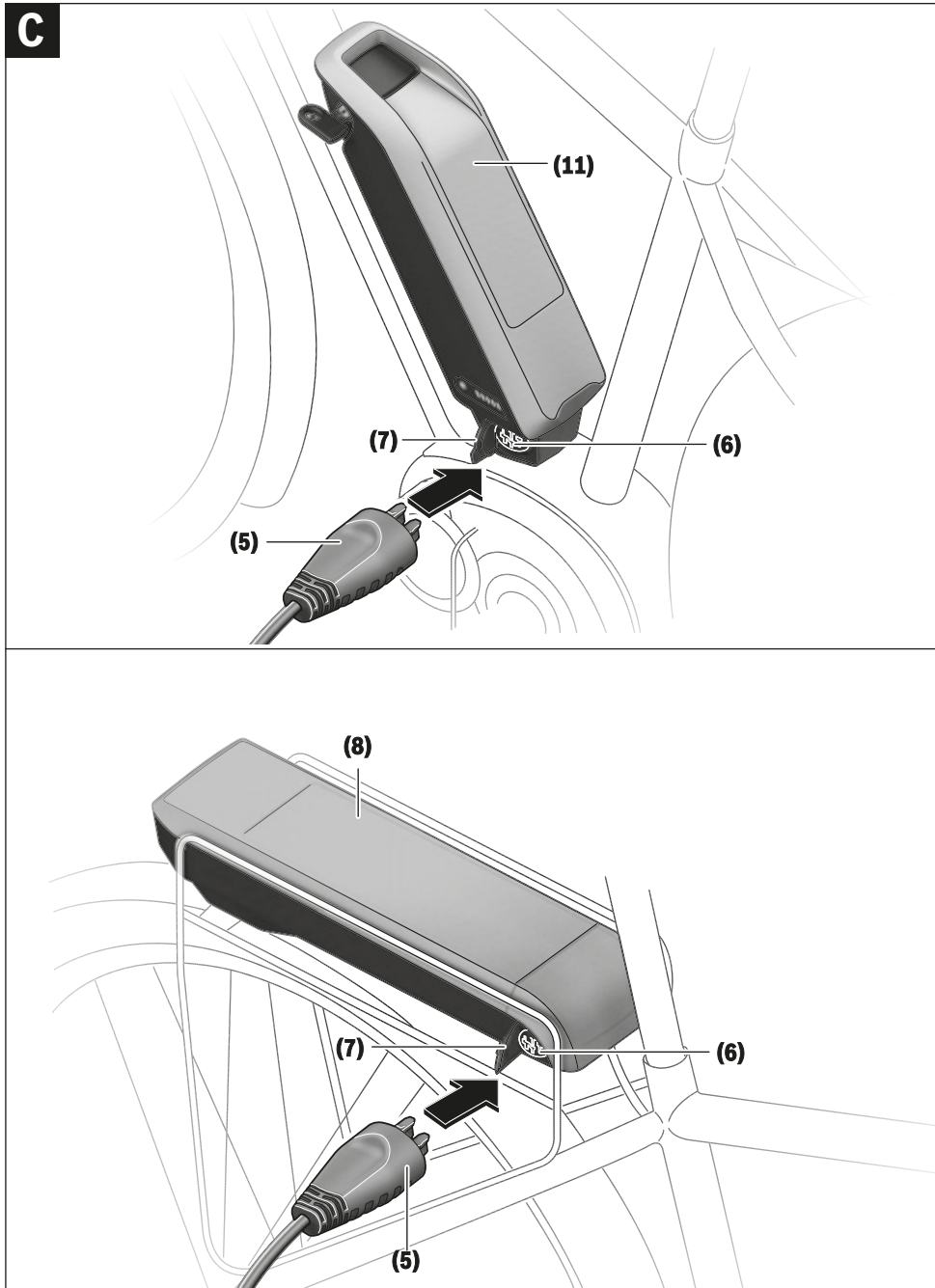






4 |





Safety instructions



Read all the safety and general instructions. Failure to observe the safety and general instructions may result in electric shock,

fire and/or serious injury.

Save all safety warnings and instructions for future reference.

The term **battery** is used in these instructions to mean all original Bosch eBike rechargeable battery packs.



Do not expose the charger to rain or wet conditions. If water enters a charger, there is a risk of electric shock.

- ▶ **Charge only Bosch lithium-ion batteries that are approved for use in eBikes. The battery voltage must match the battery charging voltage of the charger.** Otherwise there is a danger of fire and explosion.
- ▶ **Keep the charger clean.** Dirt poses a risk of electric shock.
- ▶ **Always check the charger, cable and plug before use. Stop using the charger if you discover any damage. Do not open the charger.** Damaged chargers, cables and plugs increase the risk of electric shock.
- ▶ **Do not operate the charger on an easily ignited surface (e.g. paper, textiles, etc.) or in a flammable environment.** There is a risk of fire due to the charger heating up during operation.
- ▶ **Take care if you touch the charger while it is charging. Wear protective gloves.** The charger can get very hot, especially when the ambient temperature is high.
- ▶ **The battery may give off fumes if it becomes damaged or is used incorrectly. Ensure the area is well ventilated and seek medical attention should you experience any adverse effects.** The fumes may irritate the respiratory system.
- ▶ **The eBike battery must not be left unattended while charging.**
- ▶ **Supervise children during use, cleaning and maintenance.** This will ensure that children do not play with the charger.
- ▶ **Children or persons who, owing to their physical, sensory or mental limitations or to their lack of experience or knowledge, are not capable of safely operating the charger may only use this charger under supervision or after having been instructed by a responsible person.** Otherwise, there is a danger of operating errors and injuries.
- ▶ **Read and observe the safety warnings and directions contained in all the eBike system operating instructions and in the operating instructions of your eBike.**
- ▶ A sticker in English is adhered to the bottom of the charger (marked **(4)** in the diagram on the graphics page). This says: Use ONLY with BOSCH lithium-ion batteries.

Product description and specifications

Intended Use

In addition to the functions shown here, changes to software relating to troubleshooting and functional modifications may be introduced at any time.

The Bosch eBike chargers are intended exclusively for charging Bosch eBike batteries and must not be used for any other purpose.

Product features

The numbering of the components shown refers to the illustrations on the graphics pages at the beginning of the manual.

Individual illustrations in these operating instructions may differ slightly from the actual conditions depending on the equipment of your eBike.

- (1) Charger
- (2) Device socket
- (3) Device connector
- (4) Charger safety instructions
- (5) Charging connector
- (6) Socket for charging connector
- (7) Charging socket cover
- (8) Rack-mounted battery
- (9) Operation/state of charge indicator
- (10) Battery on/off button
- (11) Standard battery

English – 2

Technical data

Charger		Standard charger (36-4/230)	Compact charger (36-2/100-230)	Fast charger (36-6/230)
Product code		BCS220	BCS230	BCS250
Rated voltage	V~	207 to 264	90 to 264	207 to 264
Frequency	Hz	47 to 63	47 to 63	47 to 63
Battery charging voltage	V=	36	36	36
Charging current (max.)	A	4	2	6 ^{A)}
Charging time				
- PowerPack 300, approx.	hrs	2.5	5	2
- PowerPack 400, approx.	hrs	3.5	6.5	2.5
- PowerPack 500, approx.	hrs	4.5	7.5	3
Operating temperature	°C	0 to +40	0 to +40	0 to +40
Storage temperature	°C	+10 to +40	+10 to +40	+10 to +40
Weight, approx.	kg	0.8	0.6	1.0
Protection rating		IP 40	IP 40	IP 40

A) The charging current is limited to 4 A for the PowerPack 300 and for Classic+ Line batteries.

The specifications apply to a rated voltage [U] of 230 V. These specifications may vary at different voltages and in country-specific models.

Operation

Start-up

Connecting the charger to the mains (see figure A)

► **Pay attention to the mains voltage.** The voltage of the power source must match the voltage specified on the rating plate of the charger. Chargers marked 230 V can also be operated at 220 V.

Plug the device connector **(3)** of the power cable into the device socket **(2)** on the charger.

Connect the power cable (country-specific) to the mains.

Charging the removed battery (see figure B)

Switch the battery off and remove it from its holder on the eBike. When doing so, read and observe the operating instructions of the battery.

► **Ensure the battery is placed on clean surfaces only.** Avoid getting dirt, e.g. sand or soil, in the charging socket and contacts in particular.

Plug the charging connector **(5)** of the charger into the socket **(6)** on the battery.

Charging the battery on the bike (see figures C and D)

Switch the battery off. Clean the cover of the charging socket **(7)**. Avoid getting dirt, e.g. sand or soil, in the charging socket and contacts in particular. Lift the cover of the charging socket **(7)** and plug the charging connector **(5)** into the charging socket **(6)**.

► **There is a risk of fire due to the charger heating up during charging. Ensure the battery on the bike is completely dry and placed on a fireproof surface before charging.** If this is not possible, remove the battery from the holder and charge it in a more suitable location.

When doing so, read and observe the operating instructions of the battery.

Charging process for two batteries

If two batteries are fitted to an eBike, both batteries can be charged using the uncovered connection. To begin with, both batteries are charged one after the other until they reach approx. 80–90 % capacity, then they are both fully charged at the same time (the LEDs flash on both batteries).

When the bike is in operation, power is drawn from both batteries on an alternating basis.

If you take the batteries out of the holders, you can charge each one individually.

Charging process

The charging process begins as soon as the charger is connected to the battery or charging socket on the bike and to the mains.

Note: The charging process is only possible when the temperature of the eBike battery is within the permitted charging temperature range.

Note: The drive unit is deactivated during the charging process.

The battery can be charged with and without the on-board computer. When charging without the on-board computer, the charging procedure can be observed on the battery charge indicator.

When the on-board computer is connected, a charging notification appears on the display.

The state of charge is displayed by the battery charge indicator **(9)** on the battery and by the bars on the on-board computer.

The LEDs on the battery charge indicator **(9)** flash during the charging process. Each solid illuminated LED represents ap-

proximately 20 % of the charging capacity. The flashing LED indicates the next 20 % currently charging.

Once the eBike battery is fully charged, the LEDs go out immediately and the on-board computer is switched off. The charging process is terminated. The state of charge can be displayed for three seconds by pressing the on/off button (10) on the eBike battery.




Disconnect the charger from the mains and the battery from the charger.

When the battery is disconnected from the charger, the battery is automatically switched off.

Note: If you have charged the battery on the bike, carefully close the charging socket (6) with the cover (7) after charging, so that no dirt or water can get in.

If the charger is not disconnected from the battery after charging, after a few hours the charger will switch itself back on, check the state of charge of the battery and begin the charging procedure again if necessary.

Errors – causes and corrective measures

Cause	Corrective measures
 <p>Battery defective</p>	<p>Two LEDs flash on the battery.</p> <p>Contact an authorised bike dealership.</p>
 <p>Battery too warm or too cold</p>	<p>Three LEDs flash on the battery.</p> <p>Disconnect the battery from the charger until the charging temperature range has been reached.</p> <p>Do not reconnect the battery to the charger until it has reached the correct charging temperature.</p>
 <p>The charger is not charging.</p>	<p>No LEDs flashing (one or more LEDs will remain permanently lit depending on the state of charge of the eBike battery).</p> <p>Contact an authorised bike dealership.</p>
Charging not possible (no indicator on battery)	
Connector not attached properly	Check all connections.
Battery contacts dirty	Carefully clean the battery contacts.
Plug socket, cable or charger defective	Check the mains voltage, have the charger checked over by a bike dealership.
Battery defective	Contact an authorised bike dealership.

Maintenance and servicing

Maintenance and cleaning

If the charger fails, please contact an authorised bike dealership.

After-sales service and advice on using products

If you have any questions about the charger, contact an authorised bike dealership.

For contact details of authorised bike dealerships, please visit www.bosch-ebike.com.

Disposal

Chargers, accessories and packaging should be recycled in an environmentally friendly manner.

Do not dispose of chargers along with household waste.

Only for EU countries:



According to the European Directive 2012/19/EU on Waste Electrical and Electronic Equipment and its implementation into national law, chargers that are no longer usable must be collected separately and disposed of in an environmentally friendly manner.

Subject to change without notice.

12 Glossary

Bicycle for young adults

Source: ISO 4210-2: S pedelec designed for use on public roads by a young adult whose weight is less than 40 kg, with maximum saddle height of 635 mm or more and less than 750 mm (see ISO 4210).

Brake lever

Source: EN 15194:2017: lever used to apply the brake.

Braking distance

Source: EN 15194:2017: distance travelled by a S pedelec between the commencement of braking and the point at which the S pedelec comes to rest.

Cargo bike

Source: DIN 79010: S pedelec mainly designed to carry goods.

CE marking

Source: Directive on Machinery: the manufacturer attaches the CE marking to declare that the S pedelec complies with the applicable requirements.

City and trekking bicycles

Source: EN-ISO 4210 - 2: S pedelec designed for use on public roads primarily for means of transportation or leisure.

Consumables

Source: EN 82079-1: any part or material that is necessary for continued use or maintenance of the product.

Decommissioning

Source: DIN 31051: intentional, unlimited interruption in an object's functional capability.

Disc brake

Source: EN 15194:2017: brake in which brake pads are used to grip the lateral faces of a thin disc attached to or incorporated in the wheel hub.

Drive belt

Source: EN 15194:2017: seamless ring belt which is used as a means of transmitting drive force.

Electrical control system

Source: EN 15194:2017: electronic and/or electrical component, or an assembly of components provided for installation into a vehicle, together with all electrical connections and associated wiring for the motor electrical power assistance.

Electrically power assisted S pedelec, S pedelec

Source: EN 15194:2017: electrically power assisted cycle, EPAC bicycles, equipped with pedals and an auxiliary electric motor, which cannot be propelled exclusively by means of the auxiliary electric motor, except in start-up assistance mode.

Emergency stop

Source: ISO 13850:2015, function or signal, designed: – to avert arising or reduce existing hazards to persons, damage to machinery or to work in progress; – to be initiated by a single human action.

Fault

Source: EN 13306:2018-02, 6.1: state of an item (4.2.1) characterized by inability to perform a required function (4.5.1), excluding the inability during preventive maintenance or other planned actions, or due to lack of external resources.

Folding bicycle

Source: ISO 4210-2: S pedelec designed to fold into a compact form, making it easy to transport and store.

Fork steerer

Source: EN 15194:2017: part of a fork that rotates around the steering axis of a The S pedelec frame head tube. It is normally connected to the fork crown or directly to the fork legs, and is normally the point of connection between the fork and the handlebar stem.

Fracture

Source: EN 15194:2017: unintentional separation into two or more parts.

Maintenance

Source: DIN 31051: maintenance is generally performed at regular intervals and often carried out by trained technical staff. This ensures a maximum service life and low wear and tear for the maintained items. Proper maintenance is often also a pre-requisite for providing a warranty.

Maximum continuous power

Source: ZEG: the maximum continuous power is the maximum power for the electric motor output shaft during 30 minutes.

Maximum permitted total weight

Source: EN 15194:2017: weight of the fully assembled S pedelec plus the rider and baggage, as specified by the manufacturer.

Maximum saddle height

Source: EN 15194:2017: vertical distance from the ground to the point where the top of the seat surface is intersected by the seat-post axis, measured with the saddle in a horizontal position and with the seat-post set to the minimum insertion-depth mark.

Maximum tyre pressure

Source: EN 15194:2017: maximum tyre pressure recommended by the tyre or rim manufacturer for a safe and efficient performance. If the rim and tyre both indicate a maximum tyre pressure, the maximum inflation pressure is the lower of the two pressures indicated.

Minimum insertion depth

Source: EN 15194:2017: mark indicating the minimum insertion depth of handlebar stem into fork steerer or seat post into frame.

Model year

Source: ZEG: the model year refers to the first production year that the series-manufactured. The S pedelec was manufactured in the version in question and is not always identical with the year of manufacture. The year of manufacture may be before the model year in some cases. If no technical modifications are introduced to the series, an S pedelec model from the previous year may continue to be produced.

Mountain bike

Source: ISO 4210 - 2: S pedelec designed for use off-road on rough terrain, on public roads, and on public pathways, equipped with a suitably strengthened frame and other components, and, typically, with wide-section tyres with coarse tread patterns and a wide range of transmission gears.

Negative deflection

Negative deflection or sag is fork compression caused by the weight of the rider and their gear (e.g. a backpack), their sitting position and the frame geometry.

Off-road rough terrain

Source: EN 15194:2017: coarse pebble tracks, forest trails, and other general off-road tracks where tree roots and rocks are likely to be encountered.

Operating and maintenance instructions

Source: ISO/DIS 20607:2018: part of the user information that machine manufacturers provide to machine operators; it contains guidance, instructions and tips related to the use of the machine in all its life cycle phases.

Pressure point

Source: ZEG: the pressure point on a brake is the point on the brake lever where the brake disc and brake pads respond and the braking process is initiated.

Quick-release device, quick release

Source: EN 15194:2017: lever actuated mechanism that connects, retains or secures a wheel or any other component.

Racing bicycle

Source: ISO 4210-2: S pedelec designed for amateur rides at high speed and for use on public roads having a control and steering assembly with multiple grip positions to provide an aerodynamic posture, a multi-speed transmission system and a tyre width not greater than 28 mm with the fully assembled S pedelec having a maximum mass of 12 kg.

Rebound

The rebound defines the speed at which the fork rebounds after being loaded.

Rechargeable battery

Source: DIN 40729:1985-05: a rechargeable battery is an energy storage device that can store supplied electrical energy as chemical energy (charging) and release it as electrical energy when required (discharging).

Seat post

Source: EN 15194:2017: component that clamps the saddle (with a bolt or assembly) and connects it to the frame.

Serial number

Source – ZEG: each S pedelec has an eight-digit type number which is used to specify the design model year, the type and the version.

Shut-off speed

Source: EN 15194:2017: speed reached by the S pedelec at the moment when the current has dropped to zero or the no-load current value.

Slippage

Source: DIN 75204-1:1992-05: the difference in relation to vehicle speed between the vehicle speed and the speed of its wheels at their circumference.

Spare part

Source: EN 13306:2018-02, 3.5: item intended to replace a corresponding item in order to retain or maintain the original required function of the item.

Suspension fork

Source: EN 15194:2017: front fork incorporating controlled, axial flexibility to reduce the transmission of road-shocks to the rider.

Suspension frame

Source: EN 15194:2017: frame incorporating controlled, vertical flexibility to reduce the transmission of road-shocks to the rider.

Total deflection

Source: Benny Wilbers, Werner Koch: Neue Fahrwerkstechnik im Detail (New chassis technology in detail): The distance that the wheel travels between an unloaded and a loaded position is called total deflection. When at rest, the vehicle's mass is applied to the springs and reduces the total deflection by the *negative deflection* to the positive deflection.

Wear

Source: DIN 31051: reduction in useful life (4.3.4), caused by chemical and/or physical processes.

Weight of ready-to-ride S pedelec

Source: ZEG: the indicated weight for a ready-to-ride S pedelec refers to the weight of an S pedelec at the time of sale. The weight of each additional accessory must be added to this weight.

Wheel

Source: ISO 4210 - 2: unit or combination of hub, rim and spokes or disc, but excluding tyre assembly.

Work environment

Source: ISO 9000:2015: set of conditions under which work is performed.

Year of manufacture

Source: ZEG: the year of manufacture is the year in which the S pedelec was manufactured. The production period is always from August to July of the following year.

12.1 Abbreviations

ABS = anti-blocking system

ECP = electronic cell protection

12.2 Simplified terms

The following terms are used for better legibility:

Term	Meaning
Operating and maintenance instructions	Original operating and maintenance instructions
Motor	Drive motor, sub-system

Table 40: Simplified terms

13 Directive declaration of conformity with RED Directive

Robert Bosch GmbH, Bosch eBike Systems, hereby declares that the Kiox radio system complies with Directive 2014/53/EU. The complete EU declaration of conformity is available online at:
<https://www.ebike-connect.com/conformity>.

14 Keyword index

- A**
- Articulated shaft,
 - care, 86
 - Average values,
 - resetting automatically, 27, 74
 - resetting manually, 27, 74
- B**
- Basic cleaning 84
 - Battery level indicator, 30
 - Battery, 19
 - charging, 65
 - checking, 38
 - cleaning, 85
 - disposing of, 105
 - removing, 64
 - shipping 34
 - transporting, 34
 - waking, 66
 - Technical data 23
 - Belt tension,
 - check 89
 - Bluetooth,
 - adding device, 27, 75
 - display connected devices, 27
 - removing device, 27, 75
 - switch off, 27
 - switching on, 27
 - Brake calliper, 17
 - Brake disc, 17
 - checking, 88
 - Brake lever,
 - adjusting the pressure point, 56
 - position 24
 - Brake lining, 17
 - checking, 88
 - Brake,
 - checking brake cables 88
 - checking brake disc, 88
 - checking brake linings, 88
 - checking pressure point, 28
 - Break in operation, 35
 - carrying out, 36
 - preparing, 36
 - Button,
 - Minus, 29, 73
 - On-Off (battery), 19
 - On-Off (on-board computer), 68
 - On-off (on-board computer), 24
 - Plus, 29, 73
 - Push assist, 29, 73
 - Riding light, 24, 68
- C**
- Cassette,
 - care, 86
 - Chain drive, 18
 - Chain guard,
 - checking, 62
 - Chain tension,
 - checking, 89
 - Chain wheel, 18
 - Chain wheels,
 - care, 86
- Chain, 13, 18
 - care, 86
 - maintaining, 89
- Charger,
 - disposing of, 105
- Clamping force,
 - Adjusting the quick releases, 42
 - Checking the quick releases, 42
- Clock,
 - setting, 27, 75
- D**
- Daily mileage,
 - resetting automatically, 27
 - Date,
 - setting, 27, 75
 - Dimensions, 33
 - Direction of travel, 18
 - Drive system,
 - switching off, 67
 - switching on, 67, 68, 71
- E**
- eBike Connect,
 - register 27
 - registering, 74
 - Electric gear shift 18
 - Electrical cable,
 - checking, 88
 - Emergency stop system 11
 - eShift,
 - configuring, 27
- F**
- Factory settings,
 - resetting, 28, 76
 - Fork,
 - care, 86
 - cleaning, 83
 - position 13
 - Frame battery, 18
 - Frame,
 - care, 86
 - cleaning, 84
 - position 13
 - Front derailleur,
 - care, 86
 - Front wheel brake, 17
 - braking, 77
 - Front wheel, see Wheel
- G**
- Gear shift twist grip,
 - checking, 88
 - position 24
 - Gear shift,
 - checking, 88
 - maintaining, 88
 - switching, 80, 81
 - Guard,
 - position 13
- H**
- Handlebars, 13, 24
 - checking, 46
 - position 13
- Hardware version,
 - Display 27
- Headlight, 18
- Hub, 14
- I**
- Initial commissioning, 38
 - Integrated battery, 18
 - removing, 64
- J**
- Jockey wheel,
 - care, 86
- L**
- Language,
 - selecting, 28, 75, 76
 - Level of assistance, 25
 - selecting, 72
 - ECO, 25
 - eMTB 25
 - OFF, 25
 - SPORT 25
 - SPORT, 25
 - TOUR, 25
 - TURBO, 25
- M**
- Minimum insertion depth marking, 54
 - Minus button, 29, 73
 - Motor, 18
 - cleaning, 85
 - Technical data 22
 - Mudguards,
 - checking, 62
- O**
- On-board computer battery,
 - charging the battery, 68
 - charging, 69
 - On-board computer, 18, 20
 - attaching, 69
 - changing design, 28, 75
 - charging the battery, 71
 - cleaning, 85
 - inserting, 68
 - operating, 73
 - removing, 69
 - securing, 69
 - storing, 35
 - switching on, 70
 - On-Off button,
 - Battery, 19
 - On-board computer, 24, 68
 - On-screen indicator, 73
 - Operating status indicator, 30
- P**
- Pannier rack battery, 18
 - Pannier rack,
 - changing, 63
 - checking, 62
 - using, 63
 - position 13
 - Pedal, 18
 - care, 86
 - cleaning, 83

- Pedelec,
 - shipping, 34
 - transporting, 34
- Plus button, 29, 73
- Push assist button, 29, 73
- Push assist,
 - using, 72
- R**
- Range,
 - resetting, 27, 74
- Rear frame damper,
 - structure, 59
- Rear light, 18
- Rear wheel brake, 17
- Reflector,
 - position 13
- Retainer guard, 19
- Riding light button, 24, 68
- Riding light, 20
 - checking function, 62
 - switch off, 71
 - switching on, 71
- Rim, 14
 - checking, 86
- S**
- Saddle, 63
 - changing the saddle tilt, 53
 - changing the seat length, 54
 - cleaning, 85
 - determining the saddle height, 53, 54
 - using, 63
 - position 13
- Seat post,
 - position 13
- Securing hook, 19
- Serial number,
 - Display 27
- Service date,
 - Display 27
- Settings,
 - changing, 73
- Shifter,
 - checking, 88
- Software version,
 - Display 27
- Specifications,
 - Display 27
- Spoke, 14
- Start screen, 73
- Stem,
 - care, 86
 - checking, 46, 88
 - cleaning, 84
 - position 13
- System message, 28, 50
- System setting,
 - changeable, 28
- T**
- Time zone,
 - selecting, 27, 75
- Transporting, 33
- Transporting, see Transportation
- Tyres, 14
 - checking, 86
- U**
- Unit,
 - changing, 28
- USB port,
 - using, 71
- V**
- Valve, 14
 - Dunlop valve, 14
 - Presta valve, 14
 - Schrader valve, 14
- W**
- Weight,
 - Shipping weight, 33
 - Weight, 33
- Wheel circumference,
 - changing system value, 27
- Wheel,
 - cleaning, 84
 - installing, 41, 42, 44, 45, 46
 - maintaining, 86
- Winter break, see Break in operation